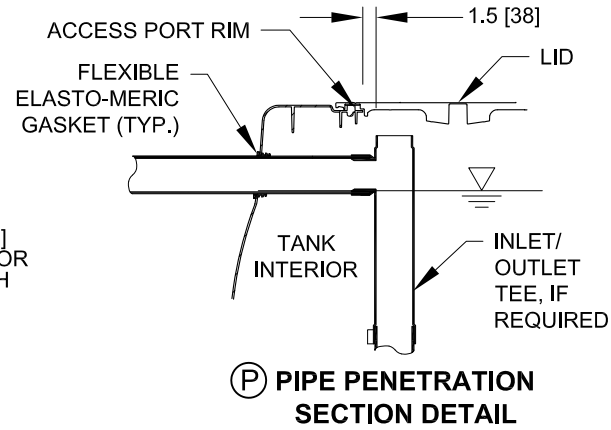
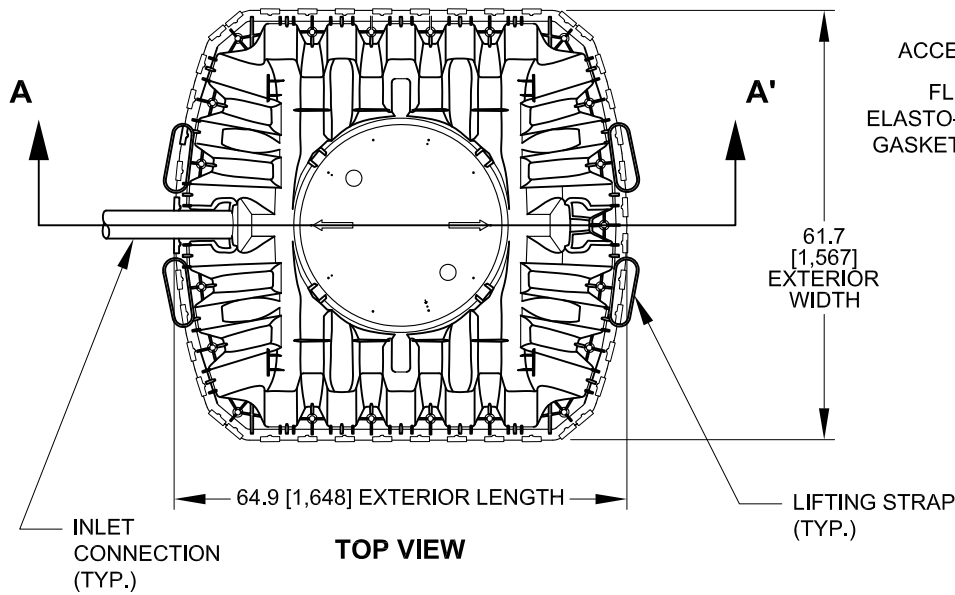
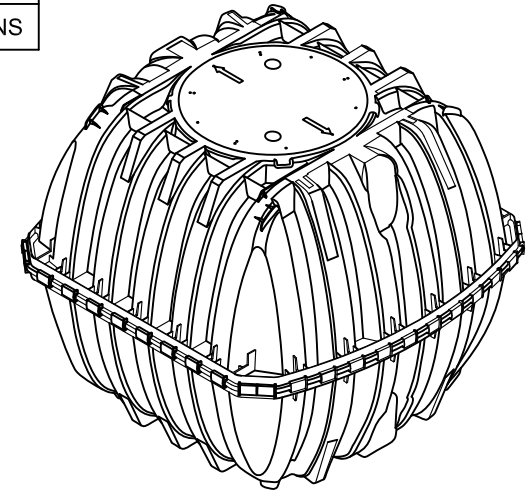
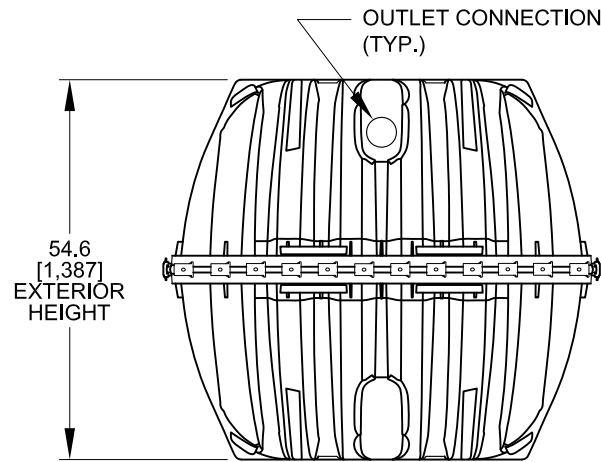
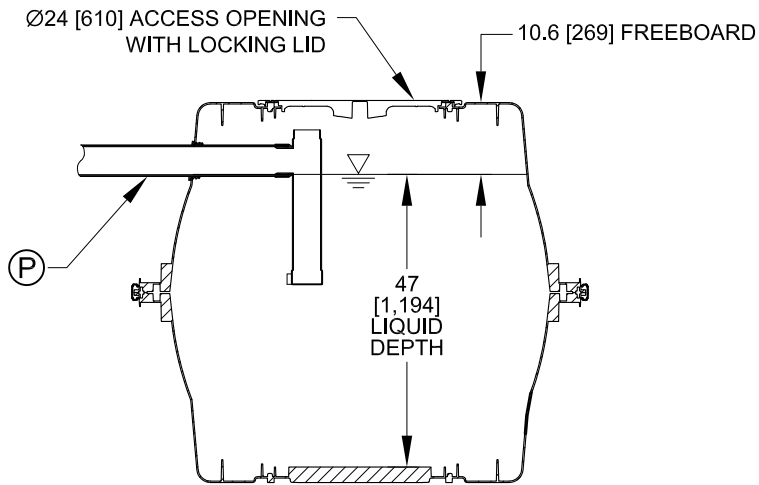


Q:\Technical Resources New\02-ISI\_Products/Tanks/Injection-Molded Tank\IM-540\Generic\_Drawings\IM-540-0801\2013



TOTAL CAPACITY	552 GALLONS
WORKING VOLUME	475 GALLONS



- NOTES:**
- ALL DRAWING DIMENSIONS IN INCHES [MILLIMETERS] OR AS NOTED.
  - EXTERIOR OR ACCESS OPENING LID INCLUDES THE FOLLOWING WARNING IN ENGLISH, FRENCH & SPANISH: "DANGER DO NOT ENTER; POISON GASES."
  - TANK MARKINGS WILL INCLUDE: MANUFACTURING NAME, MODEL NUMBER, LIQUID CAPACITY, DATE OF MANUFACTURE CODE, MAXIMUM BURIAL DEPTH, INLET, AND OUTLET.
  - THE TANK MAY BE BACKFILLED WITH SUITABLE NATIVE SOIL. SEE INSTALLATION INSTRUCTIONS FOR GUIDANCE. IF THE NATIVE SOIL DOES NOT MEET THE INSTALLATION INSTRUCTIONS GUIDANCE THEN BACKFILLING WITH SELECT MATERIAL WILL BE REQUIRED.
  - MAXIMUM BURIAL DEPTH IS 48 in [1,219 mm].
  - MINIMUM BURIAL DEPTH IS 6 in [152 mm].
  - TANK IS FOR NON-TRAFFIC APPLICATIONS.
  - AIRSPACE IS 13.9%
  - INLET TEE MAY NOT BE REQUIRED BY DESIGN.



INFILTRATOR WATER TECHNOLOGIES  
4 Business Park Rd. Old Saybrook, CT 06475  
(800) 221-4436

IM-540  
PUMP/SIPHON TANK CONFIGURATION

Drawn by: EMB	Date: 08/01/2013
Scale: NOT TO SCALE	Checked by: DFH
	Sheet: 1 of 1