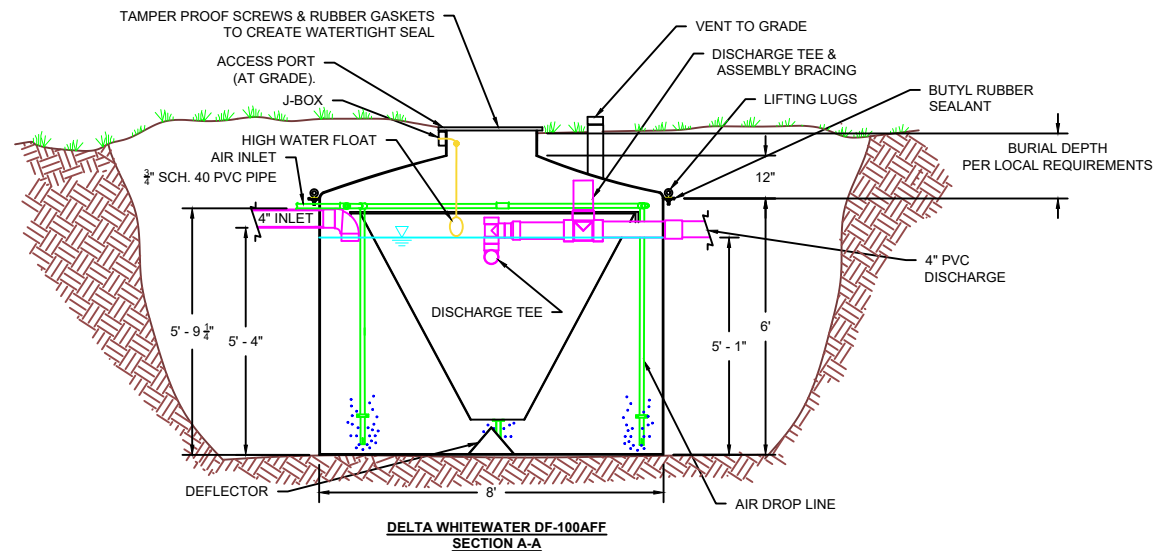
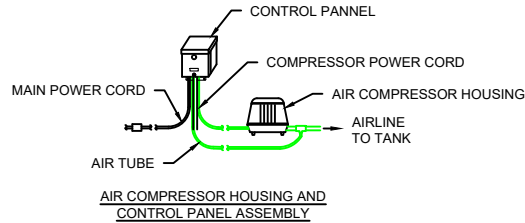
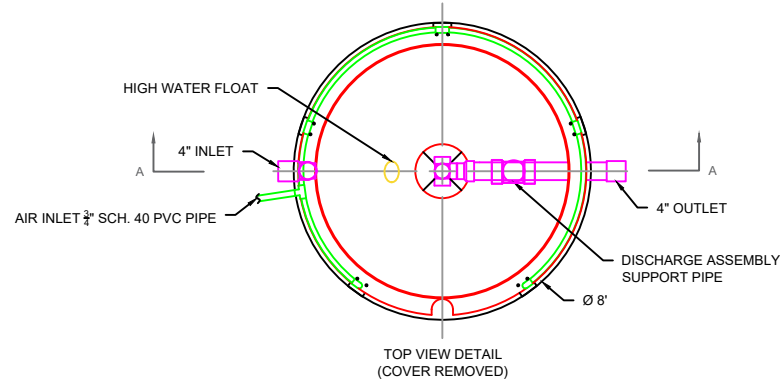


Q:\Technical Resources\New\02-ISO\PRODUCTS\25 - Delta Products\WHITEWATER\DF-100AFF\INSTALLATION DETAIL_TYPICAL CROSS SECTION DETAIL.dwg

DELTA TREATMENT SYSTEMS, LLC

WHITEWATER DF-100AFF

TYPICAL SYSTEM INSTALLATION DETAIL (NOT TO SCALE)



- NOTES:
 1. FOR SIZE AND STATE SPECIFIC DRAWINGS CONTACT DELTA TREATMENT SYSTEMS, LLC.



DELTA TREATMENT SYSTEMS, LLC.
 9125 Comar Dr. Walker, LA 70785
 (800) 219-9183

WHITEWATER DF-100AFF
 TYPICAL SYSTEM INSTALLATION DETAIL

Drawn by: RYAN D.	Date: 6/28/2019
Scale: NOT TO SCALE	Checked by: Lance C. Sheet: 1 OF 1