



# FLORIDA DEPARTMENT OF Environmental Protection

Bob Martinez Center  
2600 Blair Stone Road  
Tallahassee, FL 32399-2400

**Ron DeSantis**  
Governor

**Jeanette Nuñez**  
Lt. Governor

**Shawn Hamilton**  
Secretary

December 21, 2023

Via email: [DLentz@infiltratorwater.com](mailto:DLentz@infiltratorwater.com)

Mr. Dave Lentz  
Infiltrator Water Technologies  
4 Business Park Road,  
Old Saybrook, Ct 06475

Dear Mr. Lentz:

This letter is in response to your approval request for an additional tank in Florida. Your request for statewide approval of the IM-300-gallon single compartment tank has been granted as follows:

<b>Approval Number</b>	<b>Description</b>	<b>Approval Comments</b>
70-143-55S-C4	300 gallon	Single compartment polypropylene tank. Graywater, laundry, pump tank, or part of a septic tank in series. The tank may have the usual 4-inch diameter outlet hole, no outlet hole, or two 1.5-inch diameter holes, one centered on the center of the usual outlet hole, the second centered four inches above the center of the first. As with all Infiltrator tanks, any holes must be installed by the manufacturer or certified assembler. Midseam length and width. Use of side inlets/outlets not allowed in Florida. Burial depth minimum 6 inches, maximum 52 inches. IM-300

Rule 62-6.013(2)(j), of the Florida Administrative Code (F.A.C.), requires the following for the marking of treatment receptacles approved in Florida:

“The Department’s designated approval number for the tank, and the effective

Mr. Dave Lentz  
Infiltrator  
Page 2  
December 21, 2023

capacity of the tank in gallons must be cast or stamped into the wall or permanently stenciled or decaled onto the wall at the inlet end, to begin within 6 inches of the top of the wall. All identifying marks must be inscribed or affixed at the point of manufacture only. All information supplied in the legend must be provided with a minimum of two-inch high lettering.”

Enclosed for common reference, please find an approval listing, drawings of the treatment receptacles, and notice of rights.

If we may be of further assistance or should you have any additional questions regarding this letter, please contact Debby Tipton at 850-245-8629.

Sincerely,

A handwritten signature in black ink, appearing to read "Eberhard Roeder".

Eberhard Roeder, PhD, PE, CPM  
Program Administrator  
Onsite Sewage Program

ER/tw

Enclosures: tank listing, tank drawing, notice of rights

## NOTICE OF RIGHTS

This action is final and effective on the date filed with the Clerk of the Department unless a petition for an administrative hearing is timely filed under Sections 120.569 and 120.57, F.S., before the deadline for filing a petition. On the filing of a timely and sufficient petition, this action will not be final and effective until further order of the Department. Because the administrative hearing process is designed to formulate final agency action, the hearing process may result in a modification of the agency action or even denial of the request for a variance or waiver.

### Petition for Administrative Hearing

A person whose substantial interests are affected by the Department's action may petition for an administrative proceeding (hearing) under Sections 120.569 and 120.57, F.S. Pursuant to Rule 28-106.201, F.A.C., a petition for an administrative hearing must contain the following information:

- (a) The name and address of each agency affected and each agency's file identification number, if known;
- (b) The name, address, telephone number, and any e-mail address of the petitioner; the name, address, telephone number, and any e-mail address of the petitioner's representative, if any, which shall be the address for service purposes during the course of the proceeding; and an explanation of how the petitioner's substantial interests are or will be affected by the agency determination;
- (c) A statement of when and how the petitioner received notice of the agency decision;
- (d) A statement of all disputed issues of material fact. If there are none, the petition must so indicate;
- (e) A concise statement of the ultimate facts alleged, including the specific facts that the petitioner contends warrant reversal or modification of the agency's proposed action;
- (f) A statement of the specific rules or statutes that the petitioner contends require reversal or modification of the agency's proposed action, including an explanation of how the alleged facts relate to the specific rules or statutes; and
- (g) A statement of the relief sought by the petitioner, stating precisely the action that the petitioner wishes the agency to take with respect to the agency's proposed action.

The petition must be filed (received by the Clerk) in the Office of General Counsel of the Department at 3900 Commonwealth Boulevard, Mail Station 35, Tallahassee, Florida 32399-3000. Also, a copy of the petition shall be mailed to the applicant at the address indicated above at the time of filing.

### Time Period for Filing a Petition

In accordance with Rule 62-110.106(3), F.A.C., petitions for an administrative hearing must be filed within 21 days of receipt of this written notice. The failure to file a petition within the appropriate time period shall constitute a waiver of that person's right to request an administrative determination (hearing) under Sections 120.569 and 120.57, F.S., or to intervene in this proceeding and participate as a party to it. Any

subsequent intervention (in a proceeding initiated by another party) will be only at the discretion of the presiding officer upon the filing of a motion in compliance with Rule 28-106.205, F.A.C.

#### Extension of Time

Under Rule 62-110.106(4), F.A.C., a person whose substantial interests are affected by the Department's action may also request an extension of time to file a petition for an administrative hearing. The Department may, for good cause shown, grant the request for an extension of time. Requests for extension of time must be filed with the Office of General Counsel of the Department at 3900 Commonwealth Boulevard, Mail Station 35, Tallahassee, Florida 32399-3000, before the applicable deadline for filing a petition for an administrative hearing. A timely request for extension of time shall toll the running of the time period for filing a petition until the request is acted upon.

#### Mediation

Mediation is not available in this proceeding.

#### Judicial Review

Once this decision becomes final, any party to this action has the right to seek judicial review pursuant to Section 120.68, F.S., by filing a Notice of Appeal pursuant to Rules 9.110 and 9.190, Florida Rules of Appellate Procedure, with the Clerk of the Department in the Office of General Counsel, 3900 Commonwealth Boulevard, M.S. 35, Tallahassee, Florida 32399-3000; and by filing a copy of the Notice of Appeal accompanied by the applicable filing fees with the appropriate District Court of Appeal. The Notice of Appeal must be filed within 30 days from the date this action is filed with the Clerk of the Department.

# Infiltrator Water Technologies, LLC

4 Business Park Road; P.O. Box 768  
Old Saybrook, CT 06475

run date: 12/21/2023  
**TOTAL**

TANK NUMBER	CATEGORY	WALL THICKNESS	LIQUID DEPTH	(TOP) EXTERIOR WIDTH	IN-OUT LENGTH	EFFECTIVE DROP	GALLONS (Pump Tanks)	TOTAL GALLONS	APPROVAL USE	DATE	FAMILY:
70-143-03S-C3	C3	0.50	38.00	47	50		250	310	D, L	10/12/2010	
REMARKS: Graywater, laundry, or pump tank, or part of a septic tank in series. Pump tank may be manufactured without outlet hole. TW-300											
70-143-04S-C3	C3	0.70	40.00	59.6	59.6		375	417	D	3/3/2009	
REMARKS: Can be used as a pump tank only. Insufficient airspace to be used as septic tank or laundry tank. Pump tank may be manufactured without outlet hole. TW-375											
70-143-05S-C3	C3	0.50	40.00	60.4	62.5		425	500	D, L	7/26/2010	
REMARKS: Graywater, laundry, or pump tank, or part of a septic tank in series. Pump tank may be manufactured without outlet hole. TW-500											
70-143-09D-C3	C3	0.70	40.00	66	96.2	2.75	900	1060	B	12/19/2008	
REMARKS: Dual compartment polyethylene tank with two internal stiffeners and baffle. baffle supported by two horizontal beams. TW-900											
70-143-09S-C3	C3	0.70	40.00	66	96.2	2.75	900	1060	B	7/29/2008	
REMARKS: Single compartment polyethylene tank with two internal stiffeners. TW-900											
70-143-10D-C3	C3	0.70	40.00	66	109.5	2.75	1050	1217	B	7/29/2008	
REMARKS: Dual compartment polyethylene tank with two internal stiffeners and baffle attached to stiffener. TW-1050											
70-143-10S-C3	C3	0.70	40.00	66	109.5	2.75	1050	1217	B	7/29/2008	
REMARKS: Single compartment polyethylene tank with two internal stiffeners. TW-1050											
70-143-11D-C4	C4	0.20	44.00	62.2	127	2	1090	1280	B	7/8/2011	
REMARKS: Dual compartment polypropylene tank with internal two vertical stiffeners and six horizontal stiffeners, and baffle attached to stiffener. Midseam length and width. Use of side inlets/outlets not allowed in Florida. Minimum burial depth is six inches. IM-1060											
70-143-11D-C3	C3	0.20	44.00	62.2	127	3	1090	1280	B	7/8/2011	
REMARKS: Dual compartment polypropylene tank with internal two vertical stiffeners and baffle attached to stiffener. Midseam length and width. Use of side inlets/outlets not allowed in Florida. Minimum burial depth is six inches. Approximate top length and width. IM-1060											
70-143-11S-C3	C3	0.20	44.00	62.2	127	3	1090	1280	B	7/8/2011	
REMARKS: Single compartment polypropylene tank with internal two vertical stiffeners. Midseam length and width. Use of side inlets/outlets not allowed in Florida. Minimum burial depth is six inches. Approximate top length and width. IM-1060											
70-143-11S-C4	C4	0.20	44.00	62.2	127	2	1090	1280	B	7/8/2011	
REMARKS: Single compartment polypropylene tank with internal two vertical stiffeners and six horizontal stiffeners. Midseam length and width. Use of side inlets/outlets not allowed in Florida. Minimum burial depth is six inches. IM-1060											
70-143-13D-C3	C3	0.70	40.00	66	129.5	2.75	1250	1451	B	7/29/2008	
REMARKS: Dual compartment polyethylene tank with three internal stiffeners and baffle attached to stiffener. TW-1250											
70-143-13S-C3	C3	0.70	40.00	66	129.5	2.75	1250	1451	B	7/29/2008	
REMARKS: Single compartment polyethylene tank with three internal stiffeners. TW-1250											
70-143-15D-C3	C3	0.70	40.00	66	155.9	2.75	1500	1766	B	7/29/2008	
REMARKS: Dual compartment polyethylene tank with three internal stiffeners and baffle attached to stiffener. TW-1500											

# Infiltrator Water Technologies, LLC

4 Business Park Road; P.O. Box 768  
Old Saybrook, CT 06475

run date: 12/21/2023  
TOTAL

TANK NUMBER	CATEGORY	WALL THICKNESS	LIQUID DEPTH	(TOP) EXTERIOR WIDTH	IN-OUT EFFECTIVE LENGTH	DROP	GALLONS (Pump Tanks)	TOTAL GALLONS	APPROVAL USE DATE	FAMILY:
70-143-15S-C3	C3	0.70	40.00	66	155.9	2.75	1500	1766	B 7/29/2008	
REMARKS: Single compartment polyethylene tank with three internal stiffeners. TW-1500										
70-143-16D-C4	C4	0.20	44.00	61.7	175.6	2	1537	1750	B,D,L 4/3/2014	5
REMARKS: Dual compartment polypropylene tank with four vertical stiffeners and baffle attached to stiffener. Midseam length and width. Use of side inlets/outlets not allowed in Florida. Minimum burial depth is six inches. IM-1530										
70-143-16S-C4	C4	0.20	44.00	61.7	175.6	2	1537	1750	B,D,L 4/3/2014	5
REMARKS: Single compartment polypropylene tank with four vertical stiffeners. Midseam length and width. Use of side inlets/outlets not allowed in Florida. Minimum burial depth is six inches. IM-1530.										
70-143-21D-C4	C4	0.20	44.00	61.7	134.2	2	1111	1309		4/8/2022
REMARKS: Dual compartment polypropylene tank with internal two vertical stiffeners and baffle attached to stiffener. Midseam length and width. Use of side inlets/outlets not allowed in Florida. Minimum burial is six inches. CM-1060.										
70-143-21S-C4	C4	0.20	44.00	61.7	134.2	2	1111	1309		4/8/2022
REMARKS: Single compartment polypropylene tank with internal two vertical stiffeners. Midseam length and width. Use of side inlets/outlets not allowed in Florida. Minimum burial is six inches. CM-1060										
70-143-54S-C4	C4	0.20	44.00	61.7	64.9	2	483	557	B, G, D, 8/21/2013	
REMARKS: Polypropylene laundry, or pump tank, or part of a septic tank in series. The tank can have the usual 4-inch diameter outlet hole. It also may have no outlet hole; or two 1.5-inch diameter holes, one centered on the center of the usual outlet hole, the second centered four inches above the center of the first. As with all Infiltrator tanks, any holes must be installed by the manufacturer or certified assembler. Approved as a pretreatment tank for the 70-143-EP5S-C3 or 70-143-EP5S-C4 ECOPOD/IM 1060 combination. Midseam length and width. Use of side inlets/outlets not allowed in Florida. Minimum burial depth is six inches. IM-540										
70-143-55S-C4	C4	0.20	41.25	50.9	50.9	2	278	322		12/21/2023
REMARKS: Single compartment polypropylene tank. Graywater, laundry, pump tank, or part of a septic tank in series. The tank may have the usual 4-inch diameter outlet hole, no outlet hole, or two 1.5-inch diameter holes, one entered on the center of the usual outlet hole, the second centered four inches above the center of the first. As with all Infiltrator tanks, any holes must be installed by the manufacturer or certified assembler. Midseam length and width. Use of side inlets/outlets not allowed in Florida. Burial depth minimum 6 inches, maximum 52 inches. IM-300										
70-143-EA5-C4	C4	0.20	44.00	62.2	127	2	1090	1280		10/20/2020
REMARKS: Three compartment polypropylene tank. Two vertical, two lateral and four diagonal horizontal stiffeners. Houses Delta Enviro-Aire 52.5 ATU (525 gal/day). Midseam length and width. Use of side inlets/outlets not allowed in Florida. Minimum burial depth is six inches. IM 1060.										
70-143-EA6-C4	C4	0.20	44.00	61.7	134.2	2	1111	1309		7/14/2023
REMARKS: Three compartment polypropylene tank with two internal vertical stiffeners, two lateral and four diagonal horizontal stiffeners. Houses Delta Enviro-Aire 52.5 ATU (525 gal/day). The Delta Enviro-Aire 52.5 is NSF 40-certified. Midseam length and width. Use of side inlets/outlets not allowed in Florida. Minimum burial is six inches. CM-1060.										
70-143-EA7-C4	C4	0.20	44.00	61.7	175.6	2	1537	1750		10/20/2020
REMARKS: Three compartment polypropylene tank. Four vertical, three lateral and four diagonal horizontal stiffeners. Houses Delta Enviro-Aire EA75 ATU (750 gal/day). Inlet/outlet reversed from usual IM 1530. Midseam length and width. Use of side inlets/outlets not allowed in Florida. Minimum burial depth is six inches.										

# Infiltrator Water Technologies, LLC

4 Business Park Road; P.O. Box 768  
Old Saybrook, CT 06475

run date: 12/21/2023  
**TOTAL**

TANK NUMBER	CATEGORY	WALL THICKNESS	LIQUID DEPTH	(TOP) EXTERIOR WIDTH	IN-OUT EFFECTIVE LENGTH	DROP	GALLONS (Pump Tanks)	GALLONS	APPROVAL USE DATE	FAMILY:
70-143-EP10S-C4	C4	0.20	44.00	61.7	175.6	2	1537	1750	ATU 12/23/2019	
REMARKS: Single compartment polypropylene tank with four vertical stiffeners. Houses Delta ECOPOD E100-N-IM1530 (1000 gal/day). Requires min 1000-gal pretreatment tank; max pretreatment volume is 2.5 times daily treatment capacity unless specified by the design engineer. The Delta ECOPOD ATU is NSF 245-certified. Midseam length and width. Use of side inlets/outlets not allowed in Florida. Minimum burial depth is six inches.										
70-143-EP5S-C3	C3	0.20	44.00	62.2	127	2	1090	1280	ATU 1/9/2019	
REMARKS: Single compartment polypropylene tank, two vertical stiffeners. Houses Delta ECOPOD E50-N-IM1060 (500 gal/day). Requires min 500-gal or 70-143-54S-C4 pretreatment tank; max pretreatment volume is 2.5 times daily treatment capacity unless specified by the design engineer. The Delta ECOPOD ATU is NSF 245-certified. Midseam length and width. Use of side inlets/outlets not allowed in Florida. Minimum burial depth is six inches.										
70-143-EP5S-C4	C4	0.20	44.00	62.2	127	2	1090	1280	ATU 8/9/2019	
REMARKS: Single compartment polypropylene tank, two vertical and six horizontal stiffeners. Houses Delta ECOPOD E50-N-IM1060 (500 gal/day). Requires min 500-gal or 70-143-54S-C4 pretreatment tank; max pretreatment volume is 2.5 times daily treatment capacity unless specified by the design engineer. The Delta ECOPOD ATU is NSF 245-certified. Midseam length and width. Use of side inlets/outlets not allowed in Florida. Minimum burial depth is six inches.										
70-143-EP6S-C4	C4	0.20	44.00	62.2	127	2	1090	1280	ATU 8/9/2019	
REMARKS: Single compartment polypropylene tank, two vertical and six horizontal stiffeners. Houses Delta ECOPOD E60-N-IM1060 (600 gal/day). Requires min 600-gal pretreatment tank; max pretreatment volume is 2.5 times daily treatment capacity unless specified by the design engineer. The Delta ECOPOD ATU is NSF 245-certified. Midseam length and width. Use of side inlets/outlets not allowed in Florida. Minimum burial depth is six inches.										
70-143-EP6S-C3	C3	0.20	44.00	62.2	127	2	1090	1280	ATU 1/9/2019	
REMARKS: Single compartment polypropylene tank, two vertical stiffeners. Houses Delta ECOPOD E60-N-IM1060 (600 gal/day). Requires min 600-gal pretreatment tank; max pretreatment volume is 2.5 times daily treatment capacity unless specified by the design engineer. The Delta ECOPOD ATU is NSF 245-certified. Midseam length and width. Use of side inlets/outlets not allowed in Florida. Minimum burial depth is six inches.										
70-143-EP7S-C3	C3	0.20	44.00	62.2	127	2	1090	1280	ATU 1/9/2019	
REMARKS: Single compartment polypropylene tank, two vertical stiffeners. Houses Delta ECOPOD E75-N-IM1060 (750 gal/day). Requires min 750-gal pretreatment tank; max pretreatment volume is 2.5 times daily treatment capacity unless specified by the design engineer. The Delta ECOPOD ATU is NSF 245-certified. Midseam length and width. Use of side inlets/outlets not allowed in Florida. Minimum burial depth is six inches.										
70-143-EP7S-C4	C4	0.20	44.00	62.2	127	2	1090	1280	ATU 8/9/2019	
REMARKS: Single compartment polypropylene tank, two vertical and six horizontal stiffeners. Houses Delta ECOPOD E75-N-IM1060 (750 gal/day). Requires min 750-gal pretreatment tank; max pretreatment volume is 2.5 times daily treatment capacity unless specified by the design engineer. The Delta ECOPOD ATU is NSF 245-certified. Midseam length and width. Use of side inlets/outlets not allowed in Florida. Minimum burial depth is six inches.										
70-143-EPC5S-C4	C4	0.20	44.00	61.7	134.2	2	1111	1309	6/23/2022	
REMARKS: Single compartment polypropylene tank with two internal vertical stiffeners. Houses Delta ECOPOD E50-N (500 gal/day). Requires min 500-gallon or 70-143-54S-C4 pretreatment tank; max pretreatment volume is 2.5 times daily treatment capacity unless specified by the design engineer. The Delta ECOPOD ATU is NSF 245-certified. Midseam length and width. Use of side inlets/outlets not allowed in Florida. Minimum burial is six inches. CM-1060.										
70-143-EPC6S-C4	C4	0.20	44.00	61.7	134.2	2	1111	1309	6/23/2022	
REMARKS: Single compartment polypropylene tank with two internal vertical stiffeners. Houses Delta ECOPOD E60-N (600 gal/day). Requires min 600-gallon pretreatment tank; max pretreatment volume is 2.5 times daily treatment capacity unless specified by the design engineer. The Delta ECOPOD ATU is NSF 245-certified. Midseam length and width. Use of side inlets/outlets not allowed in Florida. Minimum burial is six inches. CM-1060.										

# Infiltrator Water Technologies, LLC

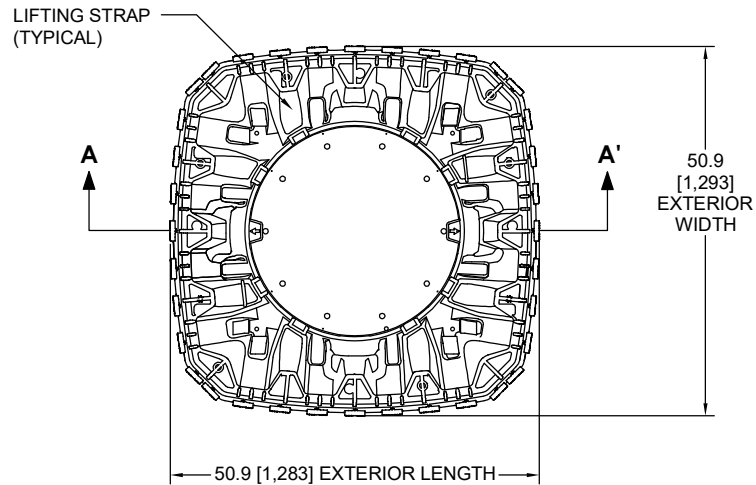
4 Business Park Road; P.O. Box 768  
Old Saybrook, CT 06475

run date: 12/21/2023  
TOTAL

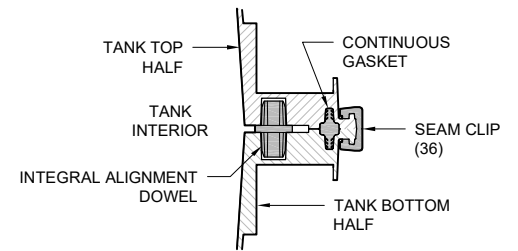
TANK NUMBER	CATEGORY	WALL THICKNESS	LIQUID DEPTH	(TOP) EXTERIOR WIDTH	IN-OUT EFFECTIVE LENGTH	DROP	GALLONS (Pump Tanks)	TOTAL GALLONS	APPROVAL USE DATE	FAMILY:
70-143-EPC7S-C4	C4	0.20	44.00	61.7	134.2	2	1111	1309	6/23/2022	
REMARKS: Single compartment polypropylene tank with two internal vertical stiffeners. Houses Delta ECOPOD E75-N (750 gal/day). Requires min 750-gallon pretreatment tank; max pretreatment volume is 2.5 times daily treatment capacity unless specified by the design engineer. The Delta ECOPOD ATU is NSF 245-certified. Midseam length and width. Use of side inlets/outlets not allowed in Florida. Minimum burial depth is six inches. CM-1060.										
70-143-NR5-C4	C4	0.20	44.00	62.2	127	2	1090	1280	6/28/2023	
REMARKS: Single compartment polypropylene tank. Two vertical, two lateral and four diagonal horizontal stiffeners. Houses Delta Ecopod E-50NR (500 gal/day). Requires min 475 gal pretreatment volume; max pretreatment volume is 2.5 times daily treatment capacity unless specified by the design engineer. The Delta Ecopod E-50NR ATU is NSF 245-certified. Midseam length and width. Use of side inlets/outlets not allowed in Florida. Minimum burial depth is six inches. IM 1060.										
70-143-NRC5-C4	C4	0.20	44.00	61.7	134.2	2	1111	1309	6/28/2023	
REMARKS: Single compartment polypropylene tank. Two vertical stiffeners. Houses Delta Ecopod E-50NR (500 gal/day). Requires min 475 gal pretreatment volume; max pretreatment volume is 2.5 times daily treatment capacity unless specified by the design engineer. The Delta Ecopod E-50NR ATU is NSF 245-certified. Midseam length and width. Use of side inlets/outlets not allowed in Florida. Minimum burial depth is six inches. CM 1060.										
70-143-NX5-C4	C4	0.20	44.00	62.2	127	2	1090	1280	9/20/2023	
REMARKS: Single compartment polypropylene tank. Two vertical, two lateral and four diagonal horizontal stiffeners. Houses Delta Ecopod E-50NX (500 gal/day). Requires min 475 gal pretreatment volume; max pretreatment volume is 2.5 times daily treatment capacity unless specified by the design engineer. The Delta Ecopod E-50NX ATU is NSF 245-certified. Midseam length and width. Use of side inlets/outlets not allowed in Florida. Minimum burial depth is six inches. IM 1060.										
70-143-NXC5-C4	C4	0.20	44.00	61.7	134.2	2	1111	1309	9/20/2023	
REMARKS: Single compartment polypropylene tank. Two vertical stiffeners. Houses Delta Ecopod E-50NX (500 gal/day). Requires min 475 gal pretreatment volume; max pretreatment volume is 2.5 times daily treatment capacity unless specified by the design engineer. The Delta Ecopod E-50NX ATU is NSF 245-certified. Midseam length and width. Use of side inlets/outlets not allowed in Florida. Minimum burial depth is six inches. CM 1060.										
70-143-PS1A-C4	C4	0.20		61.7	64.9	3	483	557	ATU	5/7/2020
REMARKS: Polypropylene. Houses the Anua PuraSys PS1-5 to PS1-8 ATU. Requires single or dual compartment pretreatment tank, sized using Table II of 64E-6, Florida Administrative Code based on the unit treatment capacity. The PuraSys is NSF 245 certified. Variation of IM-540. Revised drawing approved 8/4/2021. Midseam length and width. Use of side inlets/outlets not allowed in Florida. Minimum burial depth is six inches.										
70-143-PS1B-C4	C4	0.20		62.2	127		1090	1280	ATU	5/7/2020
REMARKS: Polypropylene. Houses the Anua PuraSys PS1-9 to PS1-13 ATU. No inlet and outlet holes. Requires single or dual compartment pretreatment tank, sized using Table II of 64E-6, Florida Administrative Code based on the unit treatment capacity. The PuraSys is NSF 245 certified. Variation of IM-1060. Two vertical stiffeners and six horizontal stiffeners. Midseam length and width. Use of side inlets/outlets not allowed in Florida. Minimum burial depth is six inches.										



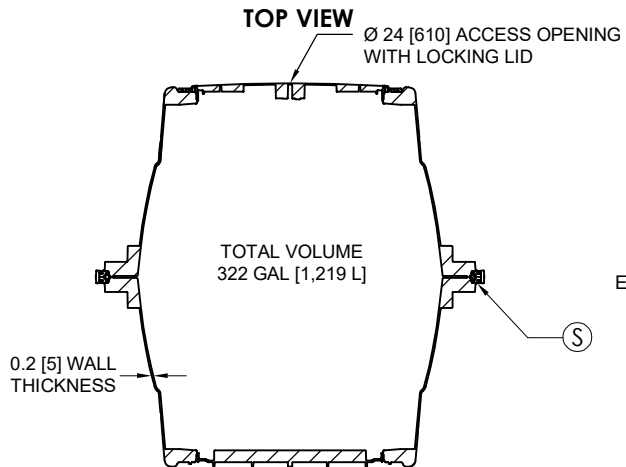
Q:\Technical Resources New\02-ISO-PRODUCTS\14 - TANKS\01 -- IM-Series Tanks\IM-300\State Specific Drawings\FL



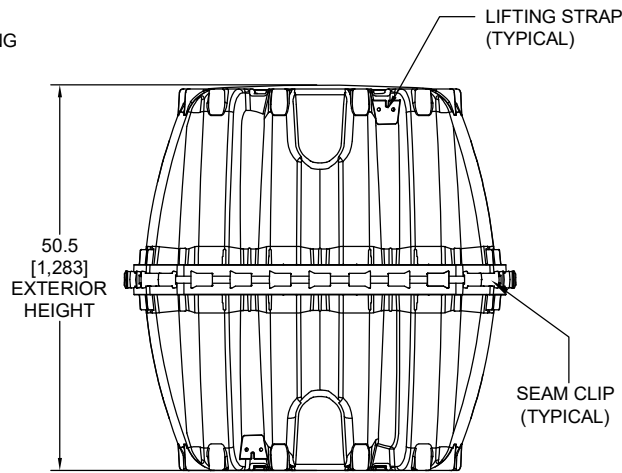
TANK EXTERIOR	
LENGTH	50.9 [1,293]
WIDTH	50.9 [1,293]
HEIGHT	50.5 [1,283]



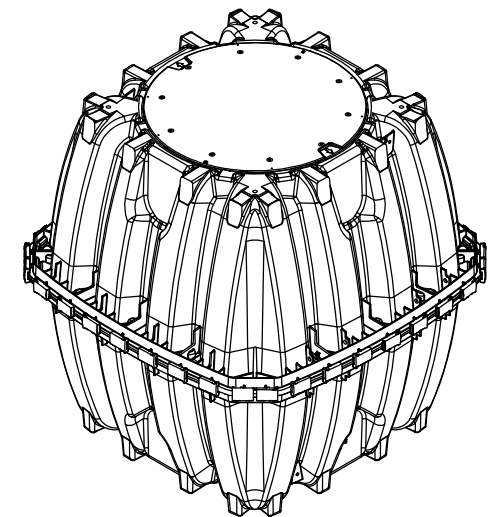
Ⓢ MID-HEIGHT SEAM SECTION DETAIL



SECTION A - A'



END VIEW



ISOMETRIC VIEW

**NOTES:**

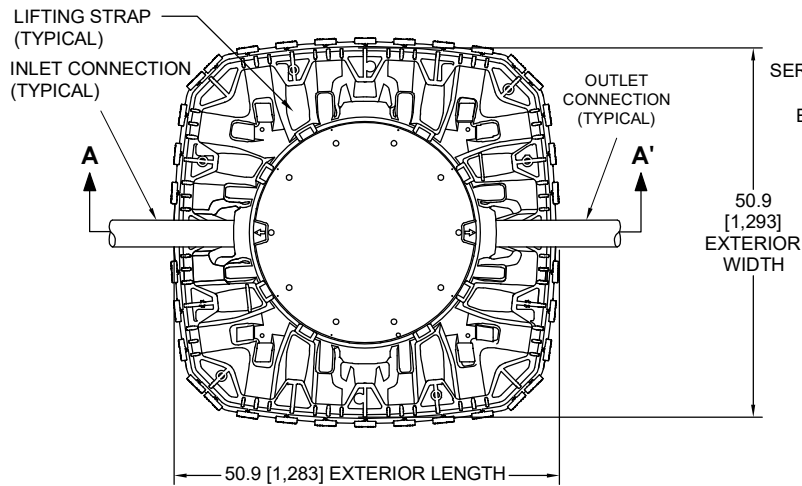
1. ALL DRAWING DIMENSIONS IN INCHES [MILLIMETERS] OR AS NOTED.
2. EXTERIOR OF ACCESS OPENING LID INCLUDES THE FOLLOWING WARNING IN ENGLISH, FRENCH & SPANISH: "DANGER DO NOT ENTER: POISON GASES."
3. TANK MARKINGS INCLUDE: MANUFACTURER NAME, MODEL NUMBER, LIQUID CAPACITY, DATE OF MANUFACTURE CODE, MAXIMUM BURIAL DEPTH, INLET, AND OUTLET.
4. MAXIMUM BURIAL DEPTH IS 52 in [1,321 mm].
5. MINIMUM BURIAL DEPTH IS 6 in [152 mm].
6. TANK IS FOR NON-TRAFFIC APPLICATIONS.
7. NOMINAL WALL THICKNESS IS 0.2 in [5 mm].



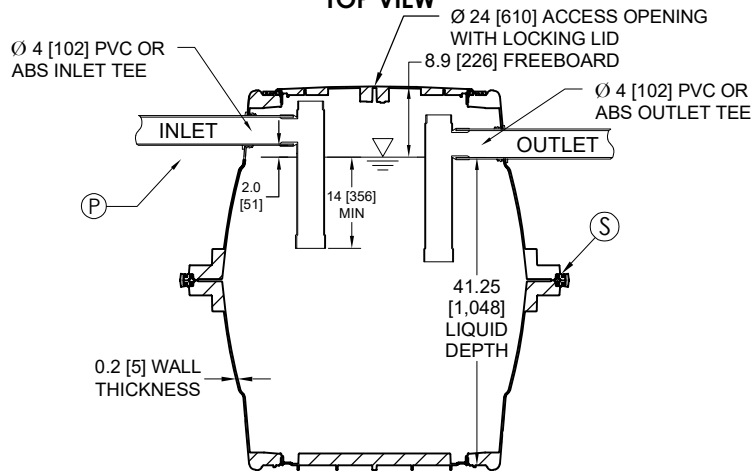
INFILTRATOR WATER TECHNOLOGIES  
 4 Business Park Rd. Old Saybrook, CT 06475  
 (800) 221-4436

Florida IM-300  
 Pump Tank Configuration

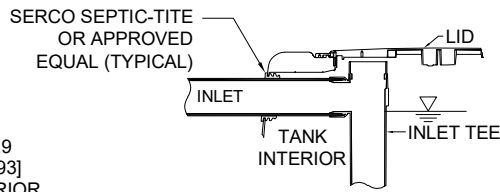
Drawn by: KAJ	Edited by: MM	Date: 12/08/2023
Scale: Not to scale	Checked by: DJL	Sheet: 1 of 1



TOP VIEW



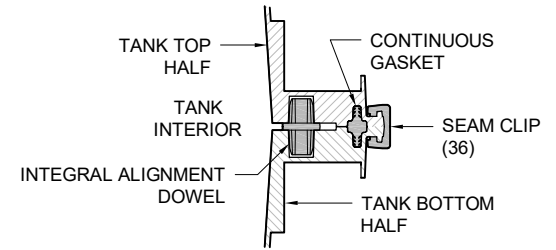
SECTION A - A'



(P) PIPE PENETRATION SECTION DETAIL

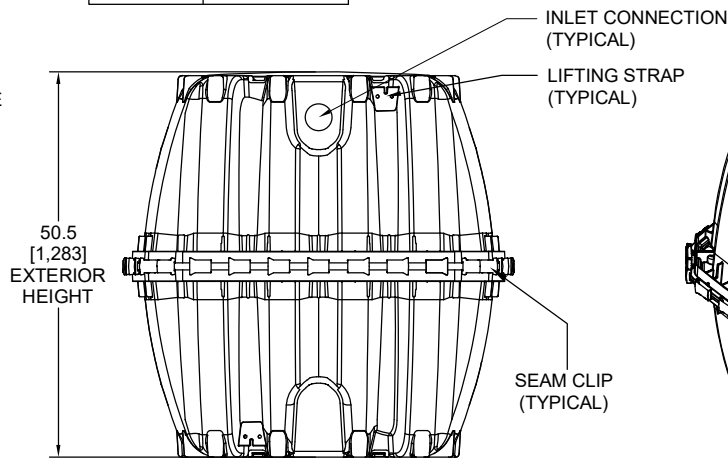
TANK EXTERIOR	
LENGTH	50.9 [1,293]
WIDTH	50.9 [1,293]
HEIGHT	50.5 [1,283]

LIQUID DEPTH	41.25 [1,048]
INVERT DROP	2.0 [51]
FREEBOARD	8.9 [226]

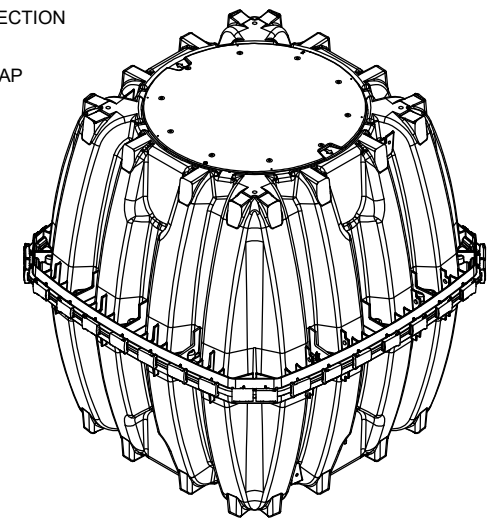


(S) MID-HEIGHT SEAM SECTION DETAIL

TOTAL CAPACITY	322 GAL
WORKING VOLUME	278 GAL



END VIEW



ISOMETRIC VIEW

NOTES:

- ALL DRAWING DIMENSIONS IN INCHES [MILLIMETERS] OR AS NOTED.
- EXTERIOR OF ACCESS OPENING LID INCLUDES THE FOLLOWING WARNING IN ENGLISH, FRENCH & SPANISH: "DANGER DO NOT ENTER: POISON GASES."
- TANK MARKINGS INCLUDE: MANUFACTURER NAME, MODEL NUMBER, LIQUID CAPACITY, DATE OF MANUFACTURE CODE, MAXIMUM BURIAL DEPTH, INLET, AND OUTLET.
- MAXIMUM BURIAL DEPTH IS 52 in [1,321 mm].
- MINIMUM BURIAL DEPTH IS 6 in [152 mm].
- TANK IS FOR NON-TRAFFIC APPLICATIONS.
- AIRSPACE IS 15.8%.
- THIS TANK IS INTENDED FOR USE AS A TANK IN-SERIES ONLY.
- INLET TEE AND OUTLET TEE IS SHOWN, BUT ONLY IF REQUIRED BY REGULATION.

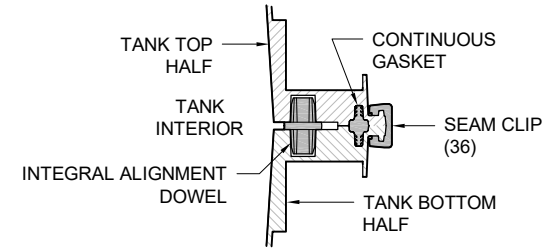
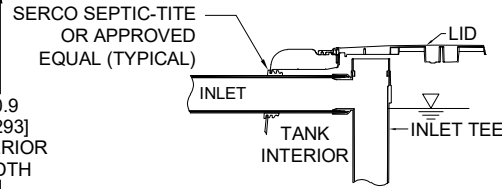
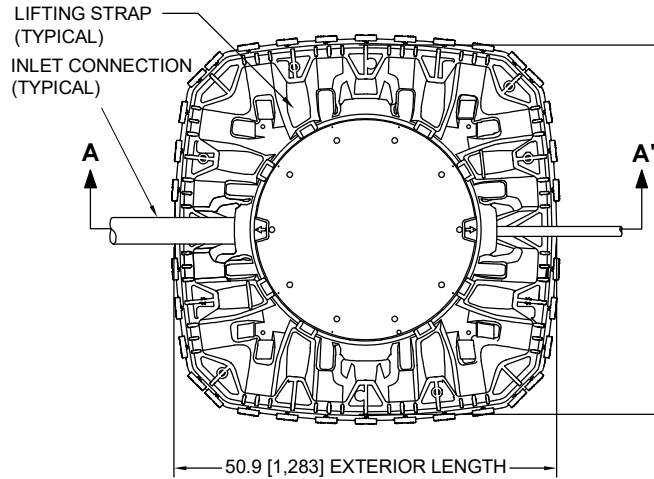


**INFILTRATOR**  
water technologies

INFILTRATOR WATER TECHNOLOGIES  
4 Business Park Rd. Old Saybrook, CT 06475  
(800) 221-4436

Florida IM-300  
In-Series Septic Tank Configuration

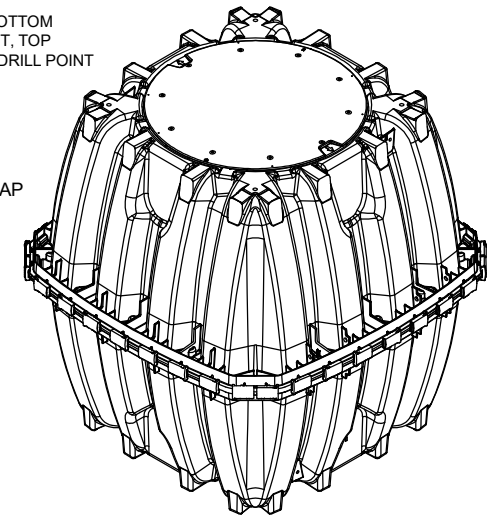
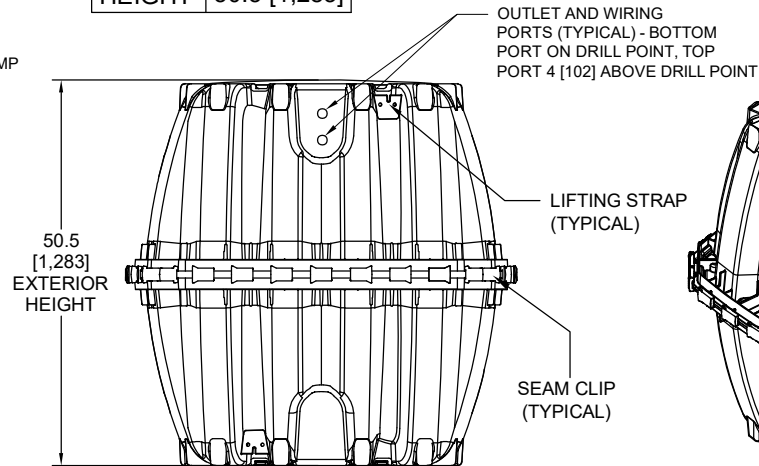
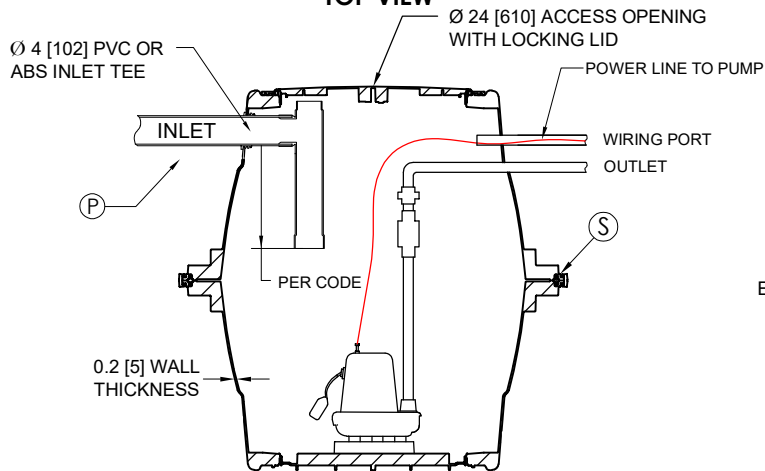
Drawn by: KAJ	Edited by: MM	Date: 12/08/2023
Scale: Not to scale	Checked by: DJL	Sheet: 1 of 1



TANK EXTERIOR	
LENGTH	50.9 [1,293]
WIDTH	50.9 [1,293]
HEIGHT	50.5 [1,283]

LIQUID DEPTH	41.25 [1,048]
INVERT DROP	2.0 [51]
FREEBOARD	8.9 [226]

TOTAL CAPACITY	322 GAL
WORKING VOLUME	278 GAL



**NOTES:**

1. ALL DRAWING DIMENSIONS IN INCHES [MILLIMETERS] OR AS NOTED.
2. EXTERIOR OF ACCESS OPENING LID INCLUDES THE FOLLOWING WARNING IN ENGLISH, FRENCH & SPANISH: "DANGER DO NOT ENTER: POISON GASES."
3. TANK MARKINGS INCLUDE: MANUFACTURER NAME, MODEL NUMBER, LIQUID CAPACITY, DATE OF MANUFACTURE CODE, MAXIMUM BURIAL DEPTH, INLET, AND OUTLET.
4. MAXIMUM BURIAL DEPTH IS 52 in [1,321 mm].
5. MINIMUM BURIAL DEPTH IS 6 in [152 mm].
6. TANK IS FOR NON-TRAFFIC APPLICATIONS.
7. AIRSPACE IS 15.8%.
8. THIS TANK IS INTENDED FOR USE AS A TANK IN-SERIES ONLY.
9. INLET TEE AND OUTLET TEE IS SHOWN, BUT ONLY IF REQUIRED BY REGULATION.



INFILTRATOR WATER TECHNOLOGIES  
4 Business Park Rd. Old Saybrook, CT 06475  
(800) 221-4436

Florida IM-300  
Shallow Pump Tank Configuration

Drawn by: KAJ	Edited by: MM	Date: 12/08/2023
Scale: Not to scale	Checked by: DJL	Sheet: 1 of 1