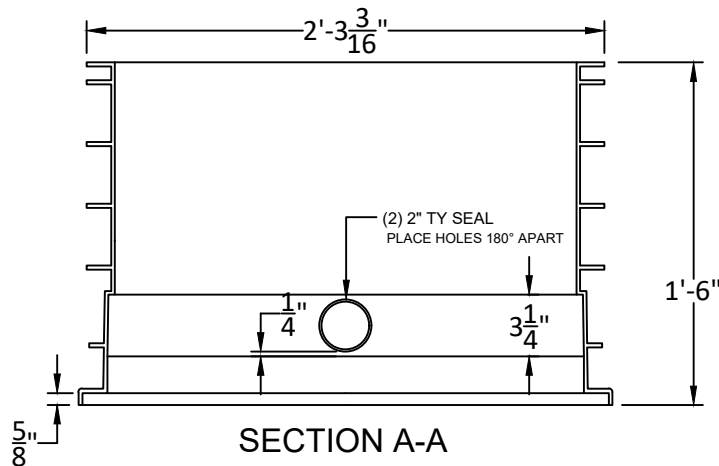


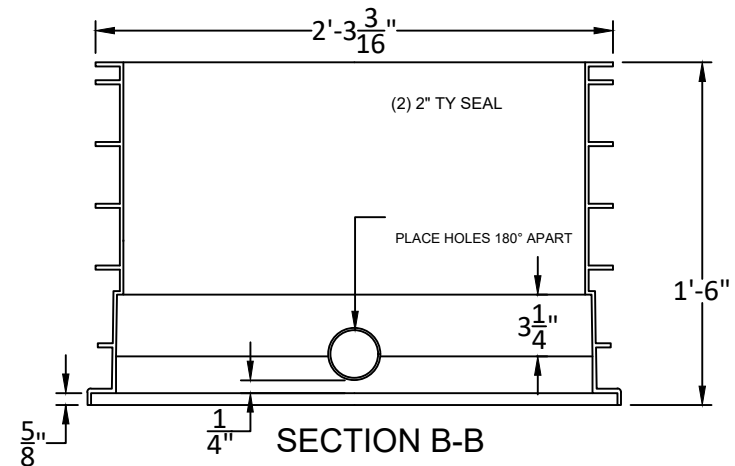
SECTION C-C

NOTE: ARROW ON FILTER & WATER METER SHOWS DIRECTION OF FLOW

RISER: RISEREZ24X12(OR 18)
LID: RISERCIVER24



SECTION A-A



SECTION B-B

REV.	DATE	REVISION DESCRIPTION	BY



DRIP RISER HEADWORKS

COMPANY CONFIDENTIAL: INFORMATION CONTAINED HEREIN IS CONFIDENTIAL, IT IS THE PROPERTY OF DELTA TREATMENT SYSTEMS, LLC. IT IS TO BE USED SOLELY FOR THE PURPOSE PROVIDED, AND IT IS NOT TO BE DISCLOSED TO OTHERS WITHOUT THE PRIOR WRITTEN CONSENT OF DELTA TREATMENT SYSTEMS.

PLOT SCALE NTS	DRAWING NUMBER WWSFA1.5-EZ24R	DRAWN BY R. DARBONNE	DATE 5/24/18	SHEET OF 1 1	REV C
-------------------	----------------------------------	-------------------------	-----------------	-----------------------	----------