



# Arc 36 LP

## THE ARC 36 LP CHAMBER BY INFILTRATOR

Leaching chambers are rapidly becoming the product of choice for leachfield applications over conventional pipe and gravel systems. Their lightweight construction offers lower installed costs and less intrusive installations.



### ENGINEERED FOR OPTIMAL PERFORMANCE

The Arc 36 Low Profile (LP) septic leaching chamber is a sturdy, lightweight plastic unit that combines maximized infiltrative surface area and storage capacity with an improved structural design to accommodate most conventional leachfield system challenges without sacrificing performance.

### FEATURES & BENEFITS:

- Injection-molded from polyolefin for lightweight and sturdy design.
- 20-degree integral articulating joint that is ideal for either straight or contoured septic leachfield applications.
- Designed to accommodate both gravity-fed and pressure-dosed systems.
- “Lock and Drop” joint provides a positive connection during installation and backfill.
- A universal inlet/outlet endcap.
- Inspection/vent ports available on each chamber with easy-to-remove knockouts for maximum job site flexibility.
- Convenient five-foot lengths are easy to handle.
- Quickly installed by one person into three-foot wide trench or bed applications.
- Diamond plate texture reduces slipping for job site safety and enhances ease of installation.

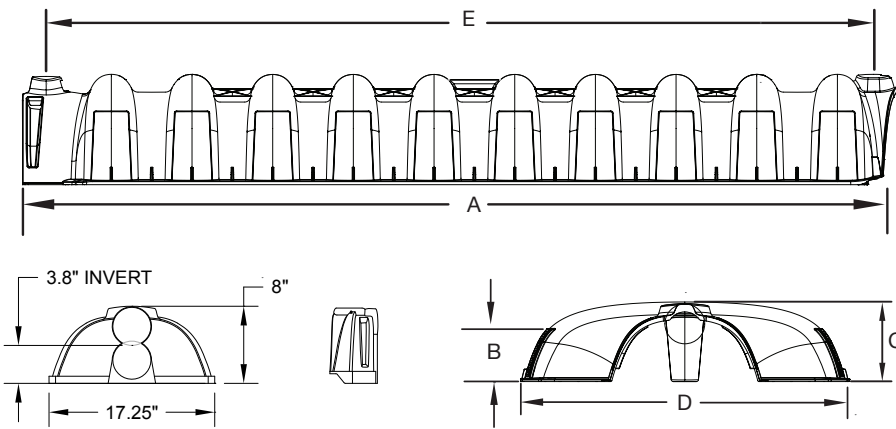
# THE ARC 36 LP CHAMBER BY INFILTRATOR

## CHAMBER REQUIREMENTS

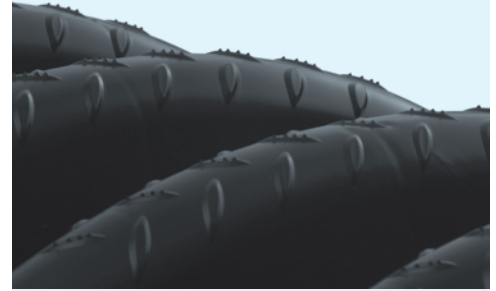
Chamber shall meet the load rating of H-10 (16,000 lb per axle) with a minimum of 12 inches of cover when tested in accordance with IAPMO PS 63 and installed in accordance with manufacturers installation procedures.

## CHAMBER CONNECTION

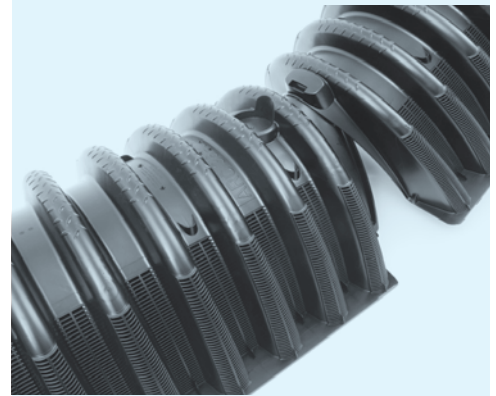
Each chamber shall interlock with an integral articulating joint. Articulating joints shall have a free range of horizontal rotation of 20 degrees, with a maximum of 10 degrees in either direction. Articulating joint shall be constructed by placing the dome with engaging knuckle of the incoming chamber over the post end of the previously installed chamber, with final engagement occurring when the lower base flanges of the incoming chamber under-lap the raised base flanges of the previously installed chamber.



Arc 36 LP CHAMBER	
Length (A)	64.25"
Repeat Length (E)	60"
Sidewall Height (B)	5.4"
Overall Height (C)	8"
Overall Width (D)	34"
Invert Height	3.8"
Weight	14 lbs
Total Bottom Area	2.83 sq ft/lf
Capacity	5.84 cu ft (43.7 gal)



Diamond Plate Texture



"Lock and Drop"



4 Business Park Road  
 P.O. Box 768  
 Old Saybrook, CT 06475  
 860-577-7000 • Fax 860-577-7001  
**1-800-221-4436**  
[www.infiltratorwater.com](http://www.infiltratorwater.com)

U.S. Patents: 4,759,661; 5,017,041; 5,156,488; 5,336,017; 5,401,116; 5,401,459; 5,511,903; 5,716,163; 5,588,778; 5,839,844 Canadian Patents: 1,329,959; 2,004,564 Other patents pending. Infiltrator, Equalizer, Quick4, and SideWinder are registered trademarks of Infiltrator Water Technologies. Infiltrator is a registered trademark in France. Infiltrator Water Technologies is a registered trademark in Mexico. Contour, MicroLeaching, PolyTuff, ChamberSpacer, MultiPort, PosiLock, QuickCut, QuickPlay, SnapLock and StraightLock are trademarks of Infiltrator Water Technologies. PolyLok is a trademark of PolyLok, Inc. TUF-TITE is a registered trademark of TUF-TITE, INC. Ultra-Rib is a trademark of IPEX Inc.

© 2016 Infiltrator Water Technologies, LLC. All rights reserved. Printed in U.S.A.

ARC005 0916SI

Contact Infiltrator Water Technologies' Technical Services Department for assistance at 1-800-221-4436