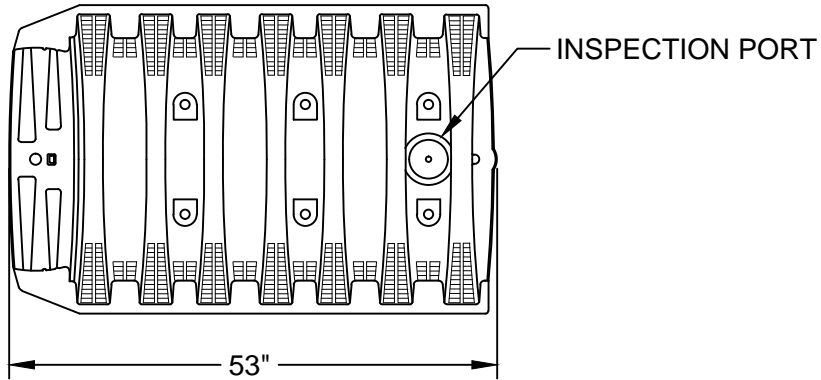
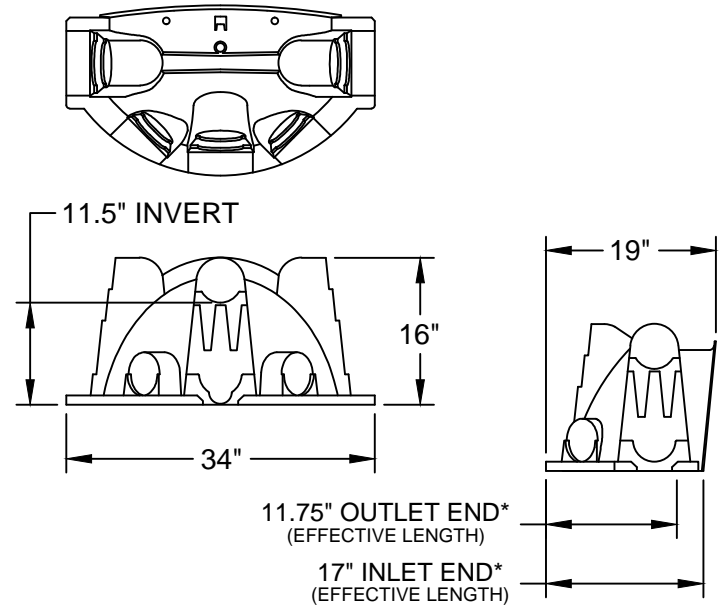


**INFILTRATOR WATER TECHNOLOGIES**  
**QUICK4 HIGH CAPACITY CHAMBER**  
**PRODUCT SPECIFICATIONS**  
 (NOT TO SCALE)

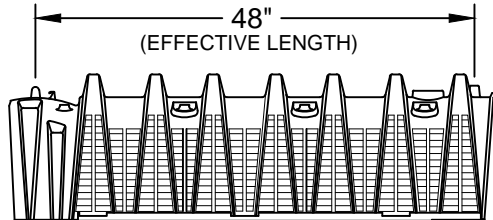
**TOP VIEW**



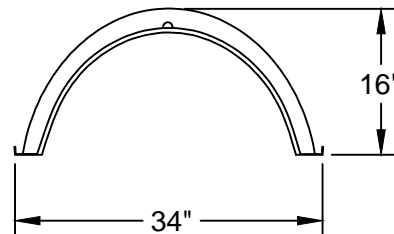
**QUICK4 HIGH CAPACITY MULTIPORT END CAP**




**SIDE VIEW**



**END VIEW**



\*ALL VIEWS = INSTALLED LENGTHS.

 <b>INFILTRATOR</b> water technologies		
INFILTRATOR WATER TECHNOLOGIES 4 Business Park Rd. Old Saybrook, CT 06475 (800) 221-4436		
<b>QUICK4 HIGH CAPACITY CHAMBER</b> <b>PRODUCT SPECIFICATIONS</b>		
Drawn by: EMB		Date: 05/21/2015
Scale: NOT TO SCALE	Checked by: DFH	Sheet: 1 of 1