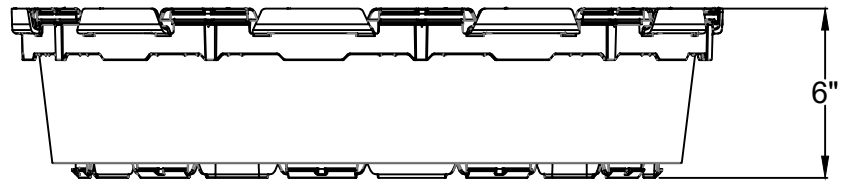
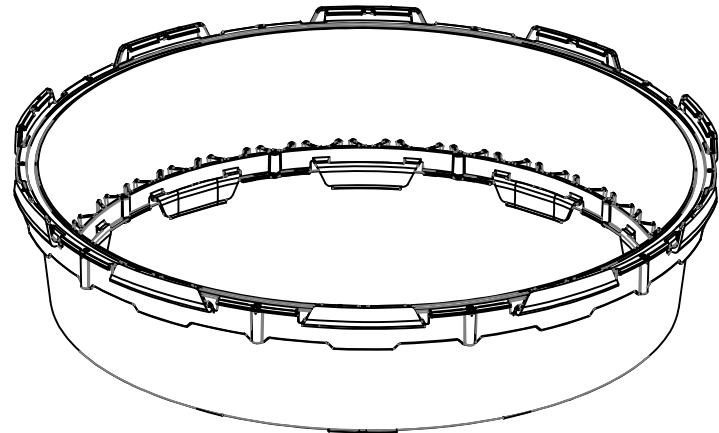
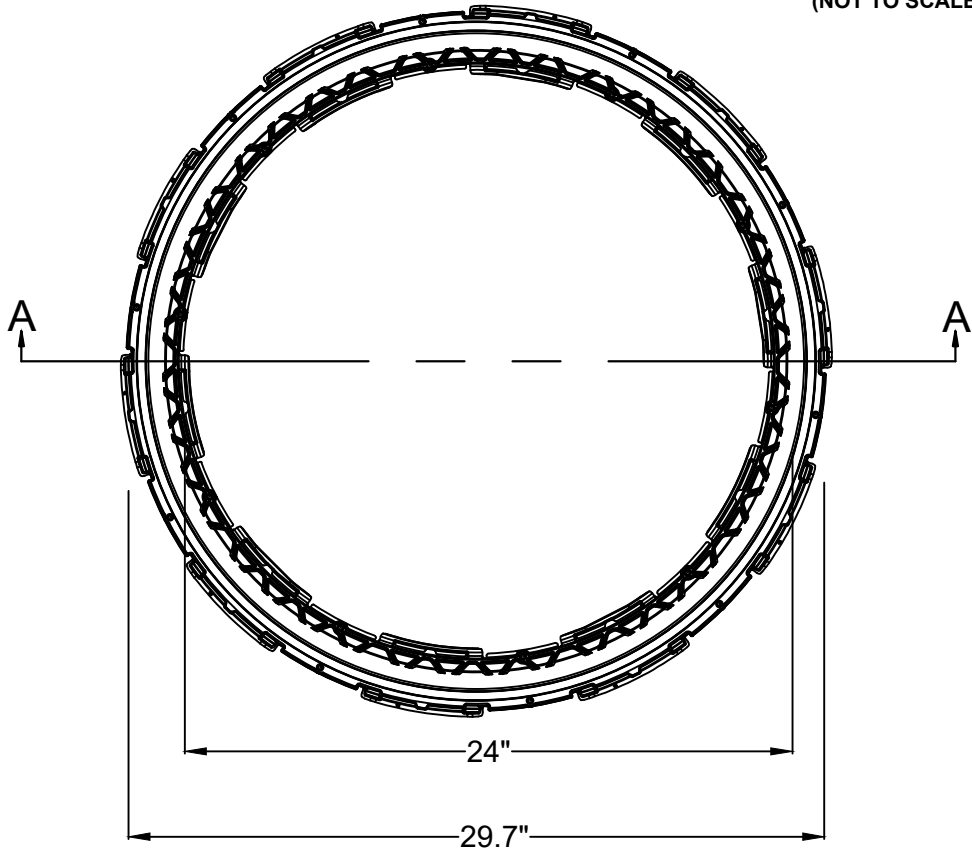


Q:\Technical Resources New\02--ISI_PRODUCTS\15 - RISERS\EZsnap\Archived\EZsnap Product Specifications


INFILTRATOR WATER TECHNOLOGIES

EZsnap 6" RISER

(NOT TO SCALE)



SECTION A-A

 INFILTRATOR water technologies		
INFILTRATOR WATER TECHNOLOGIES 4 Business Park Rd. Old Saybrook, CT 06475 (800) 221-4436		
6" EZsnap RISER SNAPRIS - 2406		
Drawn by: E.Alv.		Date: 02/13/2018
Scale: NOT TO SCALE	Checked by:	Sheet: 1 of 1