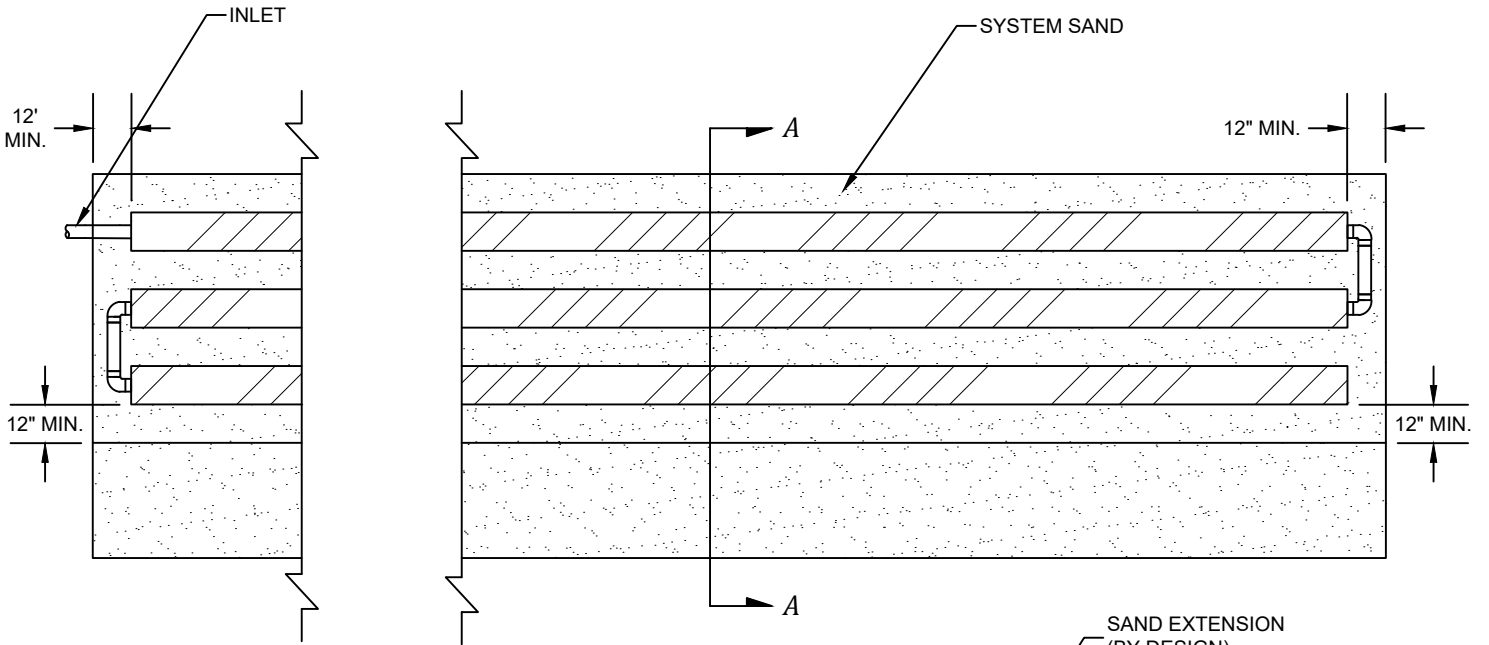
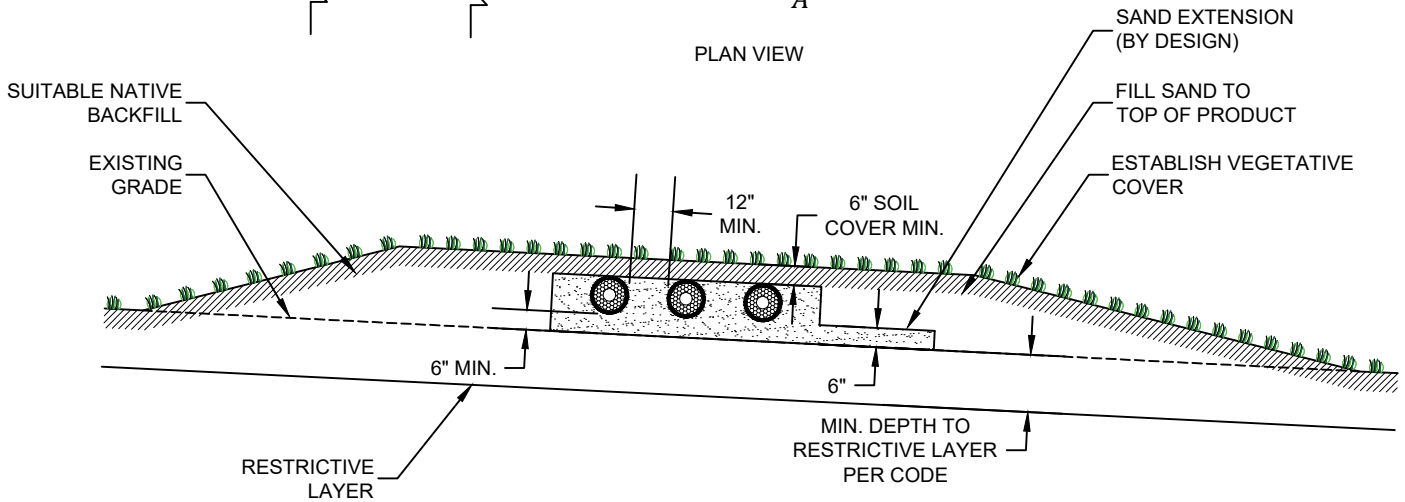


NOTES



1. NUMBER AND LENGTH OF CONDUITS PER DESIGN.
2. SERIAL DISTRIBUTION SHOWN, BUT SYSTEM MAY BE SERVED BY DISTRIBUTION BOX OR MANIFOLD.
3. VENTING IS NOT REQUIRED BUT IS OPTIONAL AT THE DISCRETION OF THE DESIGNER
4. PUMPING IS NOT REQUIRED UNLESS GRAVITY FLOW CANNOT BE ACHIEVED.



PLAN VIEW



SECTION A-A
ELEVATION VIEW

		PART NO. ATL-010
		DATE 07/26/2024
INFILTRATOR WATER TECHNOLOGIES, LLC 4 BUSINESS PARK RD, OLD SAYBROOK, CT 06475 WWW.INFILTRATORWATER.COM PHONE: (800) 221-4436 / EMAIL: INFO@INFILTRATORWATER.COM		SCALE 1:60
		SHEET NO. 01 of 01
SLOPED ELEVATED SYSTEM		