


NOTES:
IM-540 WORKING VOLUME = 475 GAL.
CM-1060 WORKING VOLUME = 1,111 GAL.

NO.	DATE	INITIALS
A	02/21/23	KJ



Delta Treatment Systems, LLC

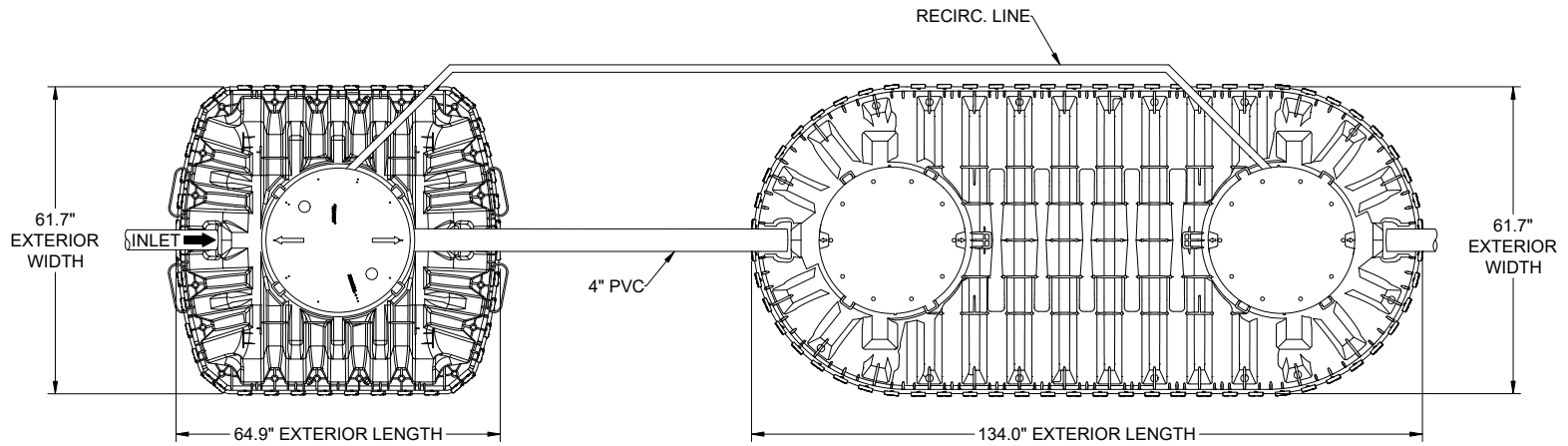
COPYRIGHT (C) 2021 DELTA TREATMENT SYSTEMS, LLC (DTS). INFORMATION CONTAINED HEREIN IS CONFIDENTIAL AND IS THE PROPERTY OF DTS. NO PART OF THIS DRAWING SHALL BE REPRODUCED, DISTRIBUTED, DISCLOSED, OR USED BY ANY PERSON OR ORGANIZATION, IN WHOLE OR IN PART, WITHOUT THE PRIOR WRITTEN PERMISSION OF DTS. THIS INFORMATION IS BASED ON SPECIFIC INPUT PARAMETERS AND IS FOR BUDGETARY OR PRELIMINARY USE ONLY. USE AND INTERPRETATION OF THIS INFORMATION AND DETERMINING THE APPLICABILITY TO A SPECIFIC PROJECT IS AT THE SOLE DISCRETION OF THE USER AND/OR THE ENGINEER OF RECORD.

DELTA ECOPOD E50-NX
IM-540 WITH CM-1060

TYPICAL INSTALLATION DETAILS

HORIZ. SCALE N.T.S.	PROJECT NO. P/N
VERT. SCALE N/A	DATE 2/06/2023
DRAWN BY JLK	DESIGNED BY DTS
DRAWING NO. C0.1	SHEET NO. 01 of 02

O:\Technical Resources\New\02-15-23_PROD\02-15-23_Delta Product\ECOPOD\ECOPOD_MBR\IM540 in series with E50-NX in CM-1060-General.dwg



PLAN VIEW

C:\Technical Resources\New\02-LSI_PROD\02-LSI_PROD\02-LSI_PROD\ECOPOD_MBR\IM-540 in series with E50-NX in CM-1060-General.dwg

NO.	DATE	INITIALS
A	02/13/23	KJ

Delta Treatment Systems, LLC

COPYRIGHT (C) 2021 DELTA TREATMENT SYSTEMS, LLC (DTS). INFORMATION CONTAINED HEREIN IS CONFIDENTIAL AND IS THE PROPERTY OF DTS. NO PART OF THIS DRAWING SHALL BE REPRODUCED, DISTRIBUTED, DISCLOSED, OR USED BY ANY PERSON OR ORGANIZATION, IN WHOLE OR IN PART, WITHOUT THE PRIOR WRITTEN PERMISSION OF DTS. THIS INFORMATION IS BASED ON SPECIFIC INPUT PARAMETERS AND IS FOR BUDGETARY OR PRELIMINARY USE ONLY. USE AND INTERPRETATION OF THIS INFORMATION AND DETERMINING THE APPLICABILITY TO A SPECIFIC PROJECT IS AT THE SOLE DISCRETION OF THE USER AND/OR THE ENGINEER OF RECORD.

**DELTA ECOPOD E50-NX
IM-540 WITH CM-1060**

TYPICAL INSTALLATION DETAILS

HORIZ. SCALE N.T.S.	PROJECT NO. P/N
VERT. SCALE N/A	DATE 2/06/2023
DRAWN BY JLK	DESIGNED BY DTS
DRAWING NO. C0.1	SHEET NO. 02 of 02