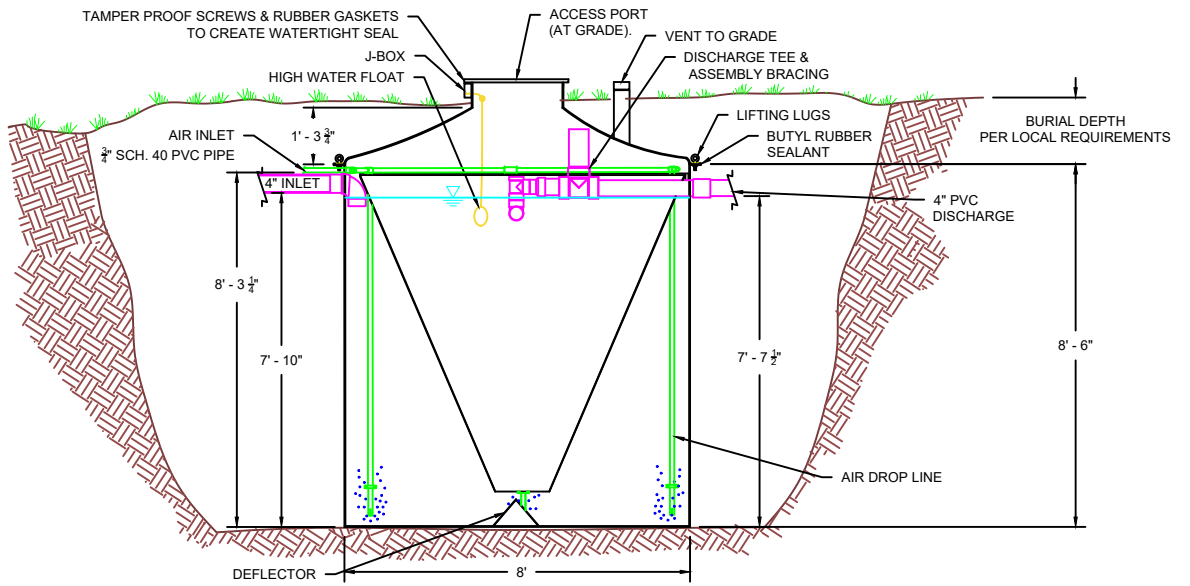
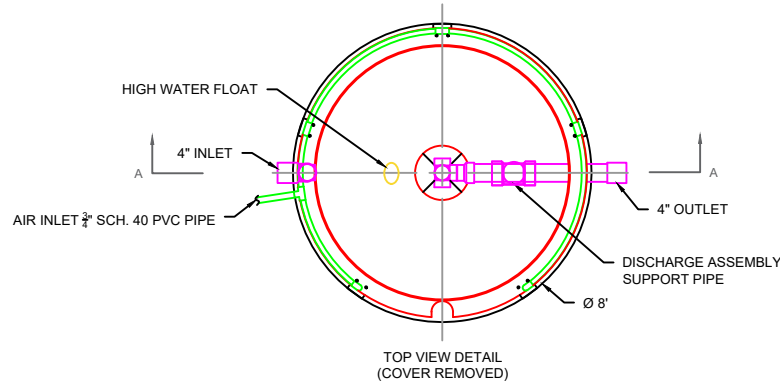
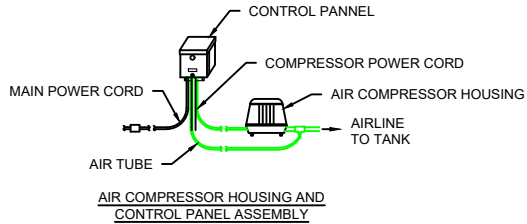


Q:\Technical Resources New\02--SI PRODUCTS\25 - Delta Products\WHITEWATER DF-150FF INSTALLATION DETAIL_TYPICAL_CROSS_SECTION DETAIL.dwg

DELTA TREATMENT SYSTEMS, LLC

WHITEWATER DF-150FF

TYPICAL SYSTEM INSTALLATION DETAIL (NOT TO SCALE)



NOTES:
1. FOR SIZE AND STATE SPECIFIC DRAWINGS CONTACT DELTA TREATMENT SYSTEMS, LLC.



WHITEWATER DF-150FF
TYPICAL SYSTEM INSTALLATION DETAIL

DELTA TREATMENT SYSTEMS, LLC.
9125 Comar Dr. Walker, LA 70785
(800) 219-9183

Drawn by: RYAN D.

Date: 7/3/2019

Scale: NOT TO SCALE

Checked by: Lance C.

Sheet: 1 OF 1