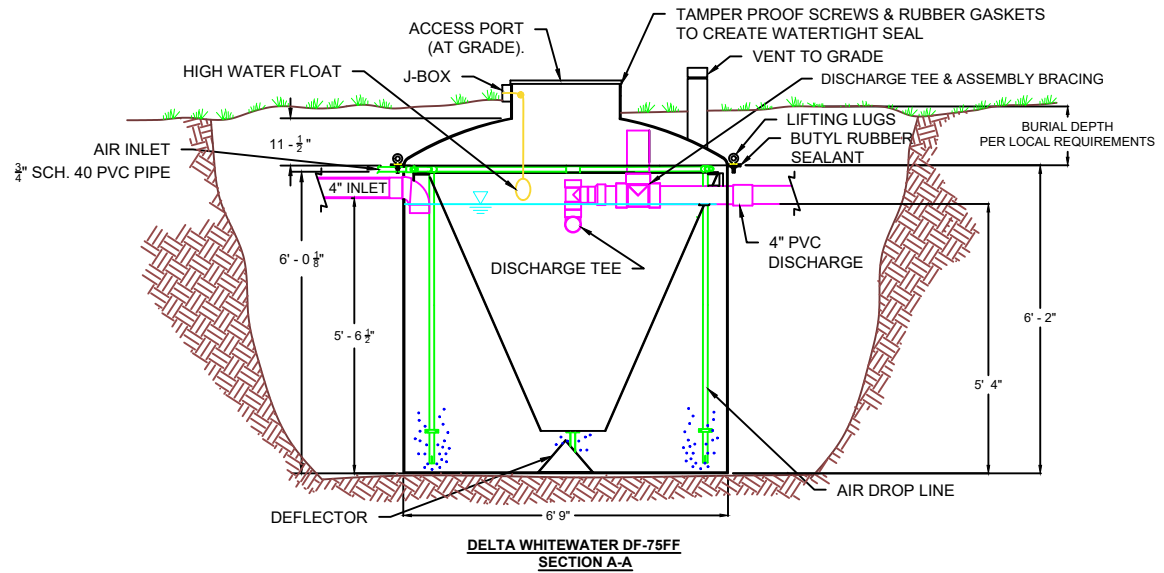
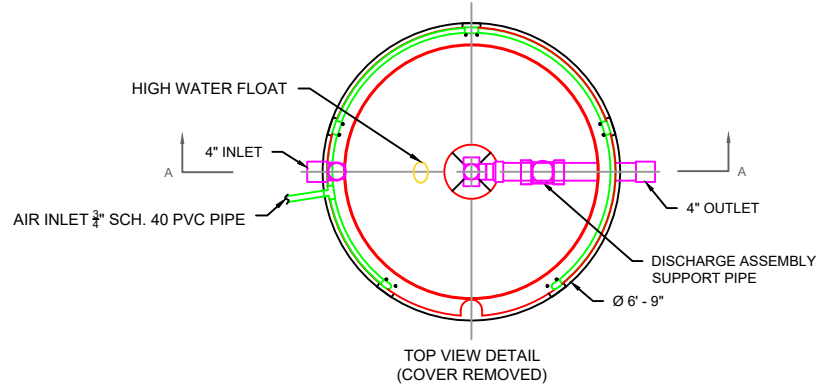
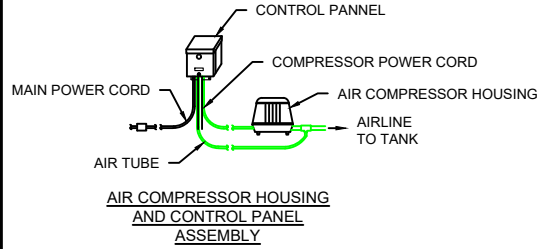


Q:\Technical Resources New\02-ISL PRODUCTS\25 - Delta Products\WHITEWATER DF-75FF INSTALLATION DETAIL_TYPICAL CROSS SECTION DETAIL.dwg

DELTA TREATMENT SYSTEMS, LLC

WHITEWATER DF-75FF

TYPICAL SYSTEM INSTALLATION DETAIL (NOT TO SCALE)



- NOTES:
1. FOR SIZE AND STATE SPECIFIC DRAWINGS CONTACT DELTA TREATMENT SYSTEMS, LLC.



DELTA TREATMENT SYSTEMS, LLC.
9125 Comar Dr. Walker, LA 70785
(800) 219-9183

WHITEWATER DF-75FF
TYPICAL SYSTEM INSTALLATION DETAIL

Drawn by: RYAN D.	Date: 7/1/2019
Scale: NOT TO SCALE	Checked by: Lance C. Sheet: 1 OF 1