

Mission:

To protect, promote & improve the health of all people in Florida through integrated state, county & community efforts.



Ron DeSantis
Governor

Scott A. Rivkees, MD
State Surgeon General

Vision: To be the Healthiest State in the Nation

December 23, 2019

Sent via Certified Mail Number: 7018 2290 0001 1333 6129

Mr. David Lentz, P.E.
Infiltrator Water Technologies, LLC
4 Business Park Road
Post Office Box 768
Old Saybrook, Connecticut 06475

Dear Mr. Lentz:

This letter is in response to Infiltrator Water Technologies' (IWT) request to utilize an approved treatment receptacle that IWT manufactures to house an approved Delta Treatment Systems (Delta) ECOPOD aerobic treatment unit (ATU). Specifically, IWT requests approval for the installation of the Delta Treatment Systems (Delta) ECOPOD E100-N within the Infiltrator IM-1530 tank.

IWT provided initial approval information by an email on October 9, 2019. Included was a letter from NSF International dated October 4, 2018, stating their approval of the installation of the Delta ECOPOD E100-N in the Infiltrator IM-1530. In response to questions by the department, IWT provided revised drawings and model information on November 1 and December 4, 2019. The treatment receptacle will be an adaptation of IWT's IM-1530 tank with the Florida approval number 70-143-16S-C4 and will require a pretreatment receptacle with minimum effective capacity of 1000 gallons. Your request is hereby approved as follows:

Approval Number	Approval Comments
70-143-EP10S-C4	Single compartment PP tank. Houses Delta ECOPOD E100-N-IM1530 (1000 gal/day). Requires min 1000-gal pretreatment tank; max pretreatment volume is 2.5 times daily treatment capacity unless specified by the design engineer. The Delta ECOPOD ATU is NSF 245-certified.

Section 64E-6.013(2)(j), of the Florida Administrative Code (F.A.C.), requires the following for the marking of treatment receptacles approved in Florida:

“The State Health Office’s designated approval number for the receptacle, and the effective capacity of the receptacle in gallons shall be cast or stamped into the wall or permanently stenciled or decaled onto the wall at the inlet end, to begin within 6 inches of the top of the wall. All identifying marks shall be inscribed or affixed at the point of manufacture only. All information supplied in the legend shall be provided with a minimum of two inch high lettering.”

Mr. Lentz, Infiltrator Water Technologies, LLC
Page Two
December 23, 2019

The existing approval conditions for the IM-1530 also apply to these versions. Assembly and labeling as final manufacturing steps will be by entities authorized by IWT for IM-series assembly and authorized by IWT as Delta representatives at their facilities. During the molding process, all IM-1530 tanks are embossed with numbering for a particular Florida-approved receptacle (i.e., 70-143-16D-C4). The embossment is on a corrugation just to the left of the inlet. IWT will create adhesive labels for each of the treatment unit models for application by the entities over the embossment as described in the Florida ECOPOD E100-N Assembly Instructions. This will obscure the septic tank approval number from view and signify the proper receptacle approval number for field inspectors.

The authorized entities will perform water tightness testing at the currently approved frequency of 1 in 10 assembled units and visual inspections for all assembled tanks. Water tightness testing will be performed in accordance with documents related to previous IM-Series tank approvals. The Delta-dealer will submit completed assembly logs including test results to IWT, and IWT will maintain a repository of such records.

Enclosed for common reference, please find enclosed drawings, a listing of your approved treatment receptacles, and a copy of the current NSF 245 listing for the ECOPOD, along with a notice of your rights. If we may be of further assistance or should you have any additional questions regarding this letter, please contact Eberhard Roeder at (850) 901-6512.

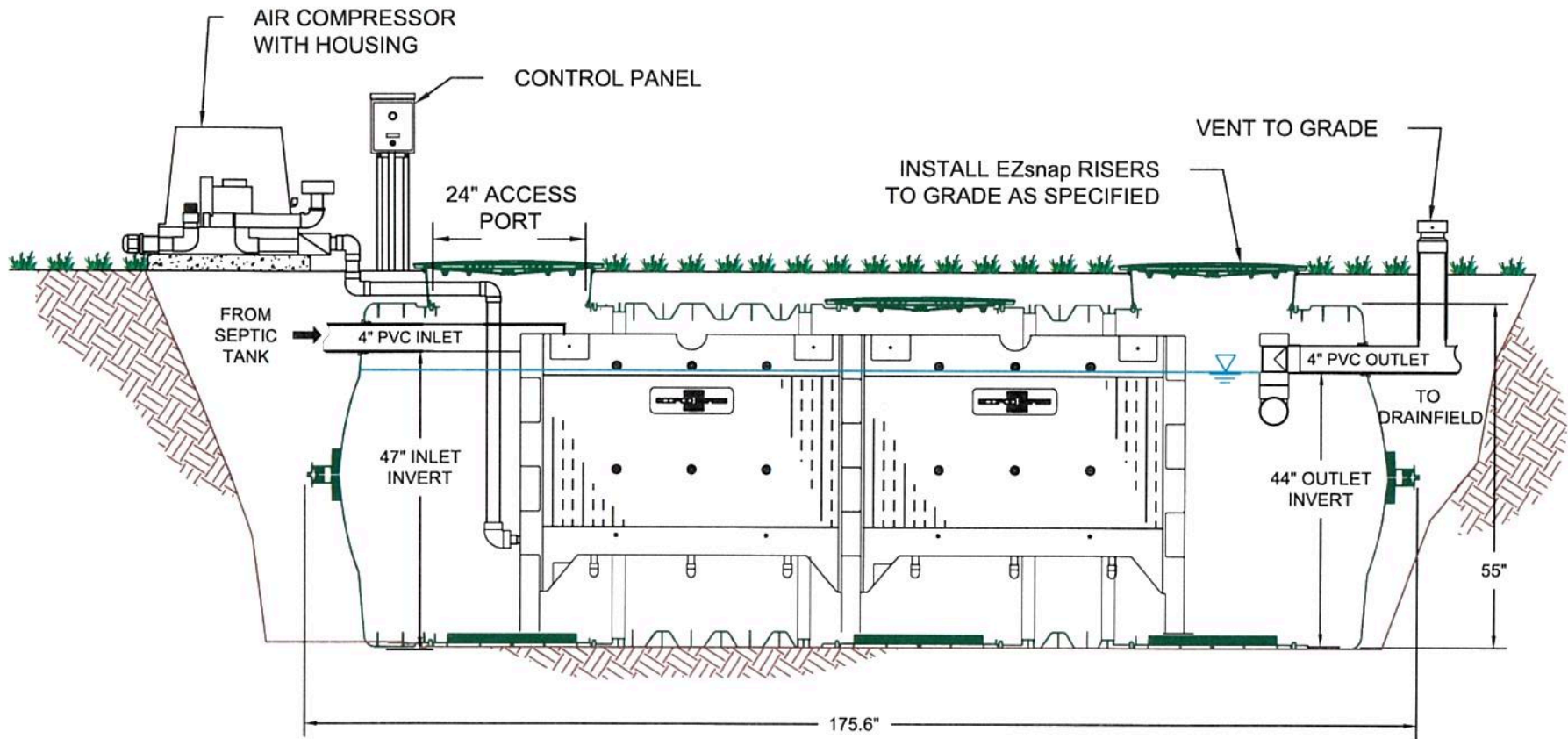
Sincerely,

A handwritten signature in blue ink, appearing to read "Ed Barranco for".

Ed Barranco, MPH, CEHP, CPM
Environmental Administrator
Onsite Sewage Programs

EB/aw
Enclosures


70-143-EP10S-C4
 Houses Delta ECOPOD E100-N-IM1530 (1000 gal/day). Requires min 1000-gal pretreatment tank; max pretreatment volume is 2.5 times daily treatment capacity unless specified by the design engineer. The Delta ECOPOD ATU is NSF 245-certified.
 Approved 12/23/2019



E100-N IM-1530
 REACTOR TANK

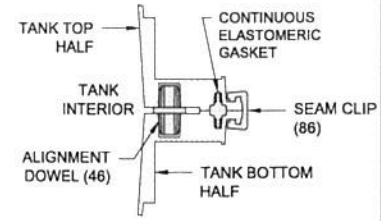
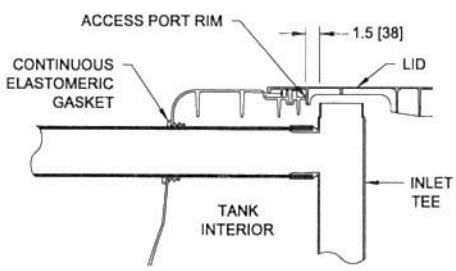
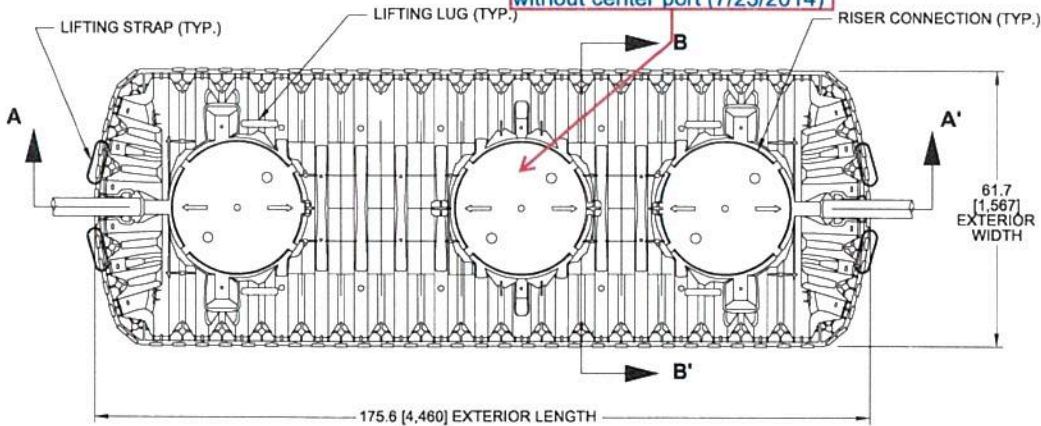
NOTES:

1. INSTALL TANK PER INSTALLATION INSTRUCTIONS
2. AIR COMPRESSOR INSTALLED WITHIN 100 FT OF THE TANK.
3. AIR PIPING INSTALLED ON INLET END OF TANK FOR ECOPOD E100-N

IM-1530 WITH ECOPOD E100-N TYPICAL CROSS SECTION DETAIL		 DELTA TREATMENT SYSTEMS 9125 COMAR DRIVE, WALKER, LA (800) 219-9183
Drawn by: RCA	Date: 11/21/2019	
Scale: NOT TO SCALE	Checked by: DFH	Sheet: 1 of 1

70-143-16S-C4 approved April 3, 2014

Note: two access port option without center port (7/23/2014)



P PIPE PENETRATION SECTION DETAIL

S MID-HEIGHT SEAM SECTION DETAIL

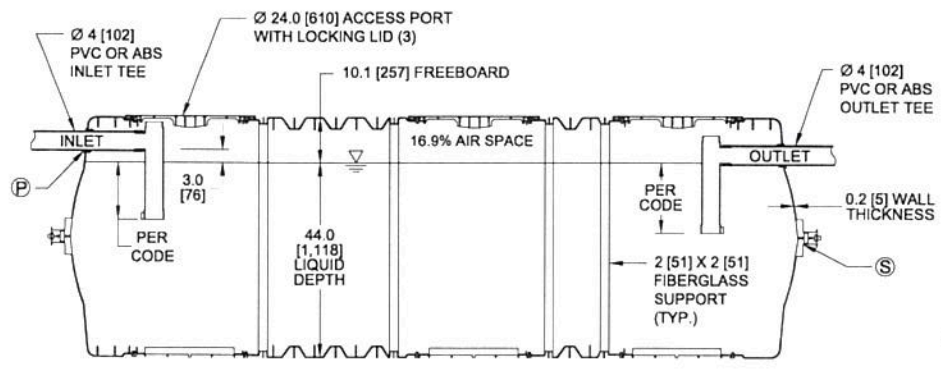
TOP VIEW

TANK EXTERIOR	
LENGTH	175.6 [4,460]
WIDTH	61.7 [1,567]
HEIGHT	54.5 [1,384]

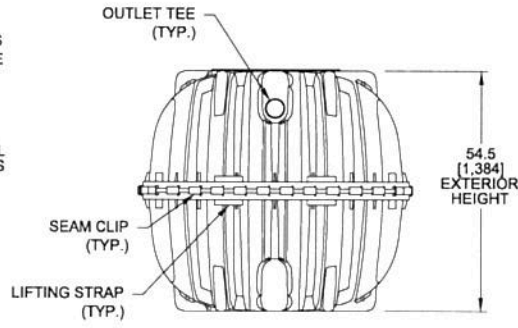
LIQUID DEPTH	44.0 [1,118]
INVERT DROP	3.0 [76]
FREEBOARD	10.1 [257]

TOTAL CAPACITY	1,765 GAL [6,630 L]
WORKING VOLUME	1,509 GAL [5,710 L]

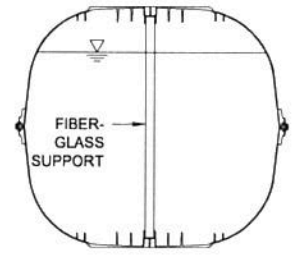
Listed based on subsequent information: 1750 Gallons 1537 Gallons



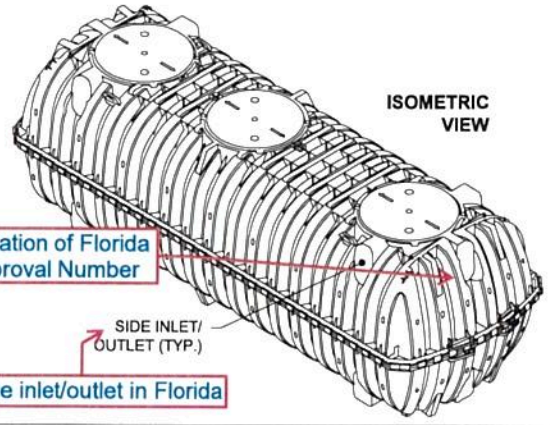
SECTION A-A'



END VIEW



SECTION B-B'



ISOMETRIC VIEW

- NOTES:
- ALL DRAWING DIMENSIONS IN INCHES [MILLIMETERS] OR AS NOTED.
 - EXTERIOR OF ACCESS OPENING LID INCLUDES THE FOLLOWING WARNING IN ENGLISH, FRENCH & SPANISH: "DANGER DO NOT ENTER: POISON GASES."
 - TANK MARKINGS WILL INCLUDE: MANUFACTURER NAME, MODEL NUMBER, LIQUID CAPACITY, DATE OF MANUFACTURE, MAXIMUM BURIAL DEPTH, INLET, AND OUTLET.
 - MAXIMUM BURIAL DEPTH IS 48 in [1,219 mm].
 - MINIMUM BURIAL DEPTH IS 6 in [152 mm].
 - TANK IS FOR NON-TRAFFIC APPLICATIONS.
 - AIRSPACE IS 16.9%.
 - OUTLET TEE IS COMPATIBLE WITH AN EFFLUENT FILTER.
 - LENGTH TO WIDTH RATIO IS 2.8:1 (175.6-INCH LENGTH / 61.7-INCH WIDTH = 2.8).



INFILTRATOR SYSTEMS INC.
4 Business Park Rd. Old Saybrook, CT 06475
(800) 221-4436

IM-1530
1-Compartment Septic/Pump Tank Configuration

Drawn by: JLB	Date: 10/09/2013
Scale: NOT TO SCALE	Checked by: DJL
	Sheet: 1 of 1

D:\technical Resources New\02-05_Products\tanks\Injection-Molded Tank\IM-1530\IM-1530_GENERIC_1 AND 2 COMPARTMENT_1.dwg 10/9/2013

Infiltrator Water Technologies, LLC

4 Business Park Road; P.O. Box 768
Old Saybrook, CT 06475

TOTAL run date: 12/23/2019

TANK NUMBER	CATEGORY	WALL THICKNESS	LIQUID DEPTH	(TOP) WIDTH	EXTERIOR LENGTH	IN-OUT DROP	EFFECTIVE GALLONS (Pump Tanks)	TOTAL GALLONS	APPROVAL USE	DATE	FAMILY:
70-143-03S-C3	C3	0.50	38.00	47	50		250	310	D, L	10/12/2010	
REMARKS: Graywater, laundry, or pump tank, or part of a septic tank in series. Pump tank may be manufactured without outlet hole. TW-300											
70-143-04S-C3	C3	0.70	40.00	59.6	59.6		375	417	D	3/3/2009	
REMARKS: Can be used as a pump tank only. Insufficient airspace to be used as septic tank or laundry tank. Pump tank may be manufactured without outlet hole. TW-375											
70-143-05S-C3	C3	0.50	40.00	60.4	62.5		425	500	D, L	7/26/2010	
REMARKS: Graywater, laundry, or pump tank, or part of a septic tank in series. Pump tank may be manufactured without outlet hole. TW-500											
70-143-09D-C3	C3	0.70	40.00	66	96.2	2.75	900	1060	B	12/19/2008	
REMARKS: Dual compartment polyethylene tank with two internal stiffeners and baffle. baffle supported by two horizontal beams. TW-900											
70-143-09S-C3	C3	0.70	40.00	66	96.2	2.75	900	1060	B	7/29/2008	
REMARKS: Single compartment polyethylene tank with two internal stiffeners. TW-900											
70-143-10D-C3	C3	0.70	40.00	66	109.5	2.75	1050	1217	B	7/29/2008	
REMARKS: Dual compartment polyethylene tank with two internal stiffeners and baffle attached to stiffener. TW-1050											
70-143-10S-C3	C3	0.70	40.00	66	109.5	2.75	1050	1217	B	7/29/2008	
REMARKS: Single compartment polyethylene tank with two internal stiffeners. TW-1050											
70-143-11D-C4	C4	0.20	44.00	62.2	127	3	1090	1280	B	7/8/2011	
REMARKS: dual compartment polypropylene tank with internal two vertical stiffeners and six horizontal stiffeners, and baffle attached to stiffener. Approximate top length and width. IM-1060											
70-143-11D-C3	C3	0.20	44.00	62.2	127	3	1090	1280	B	7/8/2011	
REMARKS: dual compartment polypropylene tank with internal two vertical stiffeners and baffle attached to stiffener. Approximate top length and width. IM-1060											
70-143-11S-C4	C4	0.20	44.00	62.2	127	3	1090	1280	B	7/8/2011	
REMARKS: single compartment polypropylene tank with internal two vertical stiffeners and six horizontal stiffeners. Approximate top length and width. IM-1060											
70-143-11S-C3	C3	0.20	44.00	62.2	127	3	1090	1280	B	7/8/2011	
REMARKS: single compartment polypropylene tank with internal two vertical stiffeners. Approximate top length and width. IM-1060											
70-143-13D-C3	C3	0.70	40.00	66	129.5	2.75	1250	1451	B	7/29/2008	
REMARKS: Dual compartment polyethylene tank with three internal stiffeners and baffle attached to stiffener. TW-1250											
70-143-13S-C3	C3	0.70	40.00	66	129.5	2.75	1250	1451	B	7/29/2008	
REMARKS: Single compartment polyethylene tank with three internal stiffeners. TW-1250											
70-143-15D-C3	C3	0.70	40.00	66	155.9	2.75	1500	1766	B	7/29/2008	
REMARKS: Dual compartment polyethylene tank with three internal stiffeners and baffle attached to stiffener. TW-1500											
70-143-15S-C3	C3	0.70	40.00	66	155.9	2.75	1500	1766	B	7/29/2008	
REMARKS: Single compartment polyethylene tank with three internal stiffeners. TW-1500											

Infiltrator Water Technologies, LLC

4 Business Park Road; P.O. Box 768
Old Saybrook, CT 06475

run date: 12/23/2019
TOTAL

TANK NUMBER	CATEGORY	WALL THICKNESS	LIQUID DEPTH	(TOP) EXTERIOR WIDTH	IN-OUT LENGTH	EFFECTIVE DROP	GALLONS (Pump Tanks)	TOTAL GALLONS	APPROVAL USE DATE	FAMILY:
70-143-16D-C4	C4	0.20	44.00	61.7	175.6	3	1537	1750	B,D,L	4/3/2014 5
REMARKS: polypropylene tank with four vertical stiffeners and baffle attached to stiffener. Midseam length and width. IM-1530.										
70-143-16S-C4	C4	0.20	44.00	61.7	175.6	3	1537	1750	B,D,L	4/3/2014 5
REMARKS: polypropylene tank with four vertical stiffeners. Midseam length and width. IM-1530.										
70-143-54S-C4	C4	0.20	44.00	61.7	64.9	3	483	557	B, G, D,	8/21/2013
REMARKS: polypropylene laundry, or pump tank, or part of a septic tank in series. The tank can have the usual 4-inch diameter outlet hole. It also may have no outlet hole; or two 1.5-inch diameter holes, one centered on the center of the usual outlet hole, the second centered four inches above the center of the first. As with all Infiltrator tanks, any holes have to be installed by the manufacturer or certified assembler. Approved as a pretreatment tank for the 70-143-EP5S-C3 or 70-143-EP5S-C4 ECOPOD/IM 1060 combination. IM-540										
70-143-BM5D-C3	C3	0.20	44.00	62.2	127	3	1090	1280	ATU	11/28/2017
REMARKS: Dual compartment PP tank, two vertical stiffeners. Houses BioMicrobics MicroFAST 0.5 ATU. NSF 40-certified units only. IM-1060										
70-143-BM5S-C3	C3	0.20	44.00	62.2	127	3	1090	1280	ATU	1/7/2016
REMARKS: Single compartment PP tank, two vertical stiffeners. Houses BioMicrobics MicroFAST 0.5 ATU. NSF 40-certified units require at least 333 gal pretreatment tank; NSF 245-certified units require between 475 to 750 gallon pretreatment tank. IM-1060										
70-143-BM6S-C3	C3	0.20	44.00	62.2	127	3	1090	1280	ATU	1/7/2016
REMARKS: Single compartment PP tank, two vertical stiffeners. Houses BioMicrobics MicroFAST 0.625 ATU. NSF 40-certified units require at least a 356 gal pretreatment tank; NSF 245-certified units require between 475 to 750 gallon pretreatment tank. IM-1060										
70-143-BM7S-C3	C3	0.20	44.00	62.2	127	3	1090	1280	ATU	1/7/2016
REMARKS: Single compartment PP tank, two vertical stiffeners. Houses BioMicrobics MicroFAST 0.75 ATU. NSF 40-certified units require at least a 356 gal pretreatment tank; NSF 245-certified units require between 475 to 750 gallon pretreatment tank. IM-1060										
70-143-EP10S-C4	C4	0.20	44.00	61.7	175.6	3	1537	1750	ATU	12/23/2019
REMARKS: Single compartment PP tank with four vertical stiffeners. Houses Delta ECOPOD E100-N-IM1530 (1000 gal/day). Requires min 1000-gal pretreatment tank; max pretreatment volume is 2.5 times daily treatment capacity unless specified by the design engineer. The Delta ECOPOD ATU is NSF 245-certified.										
70-143-EP5S-C3	C3	0.20	44.00	62.2	127	3	1090	1280	ATU	1/9/2019
REMARKS: Single compartment PP tank, two vertical stiffeners. Houses Delta ECOPOD E50-N-IM1060 (500 gal/day). Requires min 500-gal or 70-143-54S-C4 pretreatment tank; max pretreatment volume is 2.5 times daily treatment capacity unless specified by the design engineer. The Delta ECOPOD ATU is NSF 245-certified.										
70-143-EP5S-C4	C4	0.20	44.00	62.2	127	3	1090	1280	ATU	8/9/2019
REMARKS: Single compartment PP tank, two vertical and six horizontal stiffeners. Houses Delta ECOPOD E50-N-IM1060 (500 gal/day). Requires min 500-gal or 70-143-54S-C4 pretreatment tank; max pretreatment volume is 2.5 times daily treatment capacity unless specified by the design engineer. The Delta ECOPOD ATU is NSF 245-certified.										
70-143-EP6S-C3	C3	0.20	44.00	62.2	127	3	1090	1280	ATU	1/9/2019
REMARKS: Single compartment PP tank, two vertical stiffeners. Houses Delta ECOPOD E60-N-IM1060 (600 gal/day). Requires min 600-gal pretreatment tank; max pretreatment volume is 2.5 times daily treatment capacity unless specified by the design engineer. The Delta ECOPOD ATU is NSF 245-certified.										
70-143-EP6S-C4	C4	0.20	44.00	62.2	127	3	1090	1280	ATU	8/9/2019
REMARKS: Single compartment PP tank, two vertical and six horizontal stiffeners. Houses Delta ECOPOD E60-N-IM1060 (600 gal/day). Requires min 600-gal pretreatment tank; max pretreatment volume is 2.5 times daily treatment capacity unless specified by the design engineer. The Delta ECOPOD ATU is NSF 245-certified.										

Infiltrator Water Technologies, LLC

4 Business Park Road; P.O. Box 768
 Old Saybrook, CT 06475

run date: 12/23/2019
TOTAL

TANK NUMBER	CATEGORY	WALL THICKNESS	LIQUID DEPTH	(TOP) EXTERIOR WIDTH	IN-OUT LENGTH	EFFECTIVE DROP	GALLONS (Pump Tanks)	TOTAL GALLONS	APPROVAL USE DATE	FAMILY:
70-143-EP7S-C3	C3	0.20	44.00	62.2	127	3	1090	1280	ATU 1/9/2019	

REMARKS: Single compartment PP tank, two vertical stiffeners. Houses Delta ECOPOD E75-N-IM1060 (750 gal/day). Requires min 750-gal pretreatment tank; max pretreatment volume is 2.5 times daily treatment capacity unless specified by the design engineer. The Delta ECOPOD ATU is NSF 245-certified.

70-143-EP7S-C4	C4	0.20	44.00	62.2	127	3	1090	1280	ATU 8/9/2019	
----------------	----	------	-------	------	-----	---	------	------	--------------	--

REMARKS: Single compartment PP tank, two vertical and six horizontal stiffeners. Houses Delta ECOPOD E75-N-IM1060 (750 gal/day). Requires min 750-gal pretreatment tank; max pretreatment volume is 2.5 times daily treatment capacity unless specified by the design engineer. The Delta ECOPOD ATU is NSF 245-certified.



The Public Health and Safety Organization

NSF Product and Service Listings

These NSF Official Listings are current as of **Friday, December 20, 2019** at 12:15 a.m. Eastern Time. Please contact NSF to confirm the status of any Listing, report errors, or make suggestions.

Alert: NSF is concerned about fraudulent downloading and manipulation of website text. Always confirm this information by clicking on the below link for the most accurate information: <http://info.nsf.org/Certified/Wastewater/Listings.asp?Standard=245&Company=C0393819&>

NSF/ANSI 245 Wastewater Treatment Systems - Nitrogen Reduction

Delta Treatment Systems, LLC, an Infiltrator Water Technologies, LLC Subsidiary

9125 Comar Drive

Walker, LA 70785

United States

225-665-6162

Visit this company's website (<http://www.deltatreatment.com>)

Facility : Walker, LA

Model Number

Rated Capacity

Gallons/Day**ECOPOD Series**

E50-N[1]	500
E50-N - IM1060[2]	500
E60-N[1]	600
E60-N - IM1060[2]	600
E75-N[1]	750
E75-N - IM1060[2]	750
E100-N[1]	1000
E100-N - IM1530[3]	1000
E150-N[1]	1500

[1] Nitrogen analysis performed using HACH methods.

[2] Suffix IM1060 denotes molded poly tank.

[3] Suffix IM1530 denotes polypropylene tank.

Number of matching Manufacturers is 1

Number of matching Products is 9

Processing time was 0 seconds

NOTICE OF RIGHTS TO APPEAL

A party whose substantial interest is affected by this order may petition for administrative hearing pursuant to Sections 120.569 and 120.57, Florida Statutes. Such proceedings are governed by Chapter 28-106, Florida Administrative Code. A petition for a hearing must be in writing and must be received by the Agency Clerk for the Department within twenty-one (21) days from the receipt of this order. The address for the Agency Clerk is 4052 Bald Cypress Way, Bin # A02, Tallahassee, FL 32399-1703. The Agency Clerk's facsimile number is (850) 410-1448.

Mediation is not available as an alternative remedy.

Your failure to submit a petition for hearing within 21 days from receipt of this order will constitute a waiver of your right to an administrative hearing, and this order shall become a "final order".

Should this Order become a Final Order, a party who is adversely affected by it is entitled to judicial review pursuant to section 120.68, Florida Statutes. Review proceedings are governed by the Florida Rules of Appellate Procedure. Such proceedings may be commenced by filing one copy of a Notice of Appeal with the Agency Clerk of the Department of Health and a second copy accompanied by the filing fees required by law with the Court of Appeal in the appropriate District Court. The notice must be filed within 30 days of the rendition of the final order.