



FLORIDA DEPARTMENT OF Environmental Protection

Bob Martinez Center
2600 Blair Stone Road
Tallahassee, FL 32399-2400

Ron DeSantis
Governor

Jeanette Nuñez
Lt. Governor

Shawn Hamilton
Secretary

November 2, 2023

Via email: SErvin@infiltratorwater.com

Ms. Sheryl Ervin
Senior Regulatory Specialist
Infiltrator Water Technologies
Post Office Pox 768
Old Saybrook, Connecticut 06475

Dear Ms. Ervin,

You requested an update to the approvals of Infiltrator Water Technologies tanks that house the Delta ECOPOD series aerobic treatment units (ATUs) to reflect that the tanks' approved inlet to outlet drop is two inches. The previously approved inlet to outlet drop was three inches. Your request has been granted. Please see the attached tank listing for the updated listings, tank drawings and list of affected tanks below.

Approval Number	Approval Remarks
70-143-EA5-C4	Three compartment polypropylene tank. Two vertical, two lateral and four diagonal horizontal stiffeners. Houses Delta Enviro-Aire 52.5 ATU (525 gal/day). Midseam length and width. Use of side inlets/outlets not allowed in Florida. Minimum burial depth is six inches. IM 1060.
70-143-EA7-C4	Three compartment polypropylene tank. Four vertical, three lateral and four diagonal horizontal stiffeners. Houses Delta Enviro-Aire EA75 ATU (750 gal/day). Inlet/outlet reversed from usual IM 1530. Midseam length and width. Use of side inlets/outlets not allowed in Florida. Minimum burial depth is six inches.
70-143-EP10S-C4	Single compartment polypropylene tank with four vertical stiffeners. Houses Delta ECOPOD E100-N-IM1530 (1000 gal/day). Requires min 1000-gal pretreatment tank; max pretreatment volume is 2.5 times daily treatment capacity unless specified by the design

	<p>engineer. The Delta ECOPOD ATU is NSF 245-certified. Midseam length and width. Use of side inlets/outlets not allowed in Florida. Minimum burial depth is six inches.</p>
70-143-EP5S-C3	<p>Single compartment polypropylene tank, two vertical stiffeners. Houses Delta ECOPOD E50-N-IM1060 (500 gal/day). Requires min 500-gal or 70-143-54S-C4 pretreatment tank; max pretreatment volume is 2.5 times daily treatment capacity unless specified by the design engineer. The Delta ECOPOD ATU is NSF 245-certified. Midseam length and width. Use of side inlets/outlets not allowed in Florida. Minimum burial depth is six inches.</p>
70-143-EP6S-C3	<p>Single compartment polypropylene tank, two vertical stiffeners. Houses Delta ECOPOD E60-N-IM1060 (600 gal/day). Requires min 600-gal pretreatment tank; max pretreatment volume is 2.5 times daily treatment capacity unless specified by the design engineer. The Delta ECOPOD ATU is NSF 245-certified. Midseam length and width. Use of side inlets/outlets not allowed in Florida. Minimum burial depth is six inches.</p>
70-143-EP7S-C3	<p>Single compartment polypropylene tank, two vertical stiffeners. Houses Delta ECOPOD E75-N-IM1060 (750 gal/day). Requires min 750-gal pretreatment tank; max pretreatment volume is 2.5 times daily treatment capacity unless specified by the design engineer. The Delta ECOPOD ATU is NSF 245-certified. Midseam length and width. Use of side inlets/outlets not allowed in Florida. Minimum burial depth is six inches.</p>
70-143-EP5S-C4	<p>Single compartment polypropylene tank, two vertical and six horizontal stiffeners. Houses Delta ECOPOD E50-N-IM1060 (500 gal/day). Requires min 500-gal or 70-143-54S-C4 pretreatment tank; max pretreatment volume is 2.5 times daily treatment capacity unless specified by the design engineer. The Delta ECOPOD ATU is NSF 245-certified. Midseam length and width. Use of side inlets/outlets not allowed in Florida. Minimum burial depth is six inches.</p>
70-143-EP6S-C4	<p>Single compartment polypropylene tank, two vertical and six horizontal stiffeners. Houses Delta ECOPOD E60-N-IM1060 (600 gal/day). Requires min 600-gal pretreatment tank; max pretreatment volume is 2.5 times daily treatment capacity unless specified by the design engineer. The Delta ECOPOD ATU is NSF 245-certified. Midseam length and width. Use of side inlets/outlets not allowed in Florida. Minimum burial depth is six inches.</p>
70-143-EP7S-C4	<p>Single compartment polypropylene tank, two vertical and six horizontal stiffeners. Houses Delta ECOPOD E75-N-IM1060 (750 gal/day). Requires min 750-gal pretreatment tank; max</p>

Ms. Sheryl Ervin
Infiltrator Water Technologies
Page 3
November 2, 2023

	pretreatment volume is 2.5 times daily treatment capacity unless specified by the design engineer. The Delta ECOPOD ATU is NSF 245-certified. Midseam length and width. Use of side inlets/outlets not allowed in Florida. Minimum burial depth is six inches.
--	--

If you have further questions, please contact Ms. Debby Tipton at Debby.Tipton@FloridaDEP.gov or 850-245-8629.

Sincerely,



Eberhard Roeder, PhD, PE, CPM
Program Administrator
Onsite Sewage Programs

ER/tw

Enclosures: tank listing, tank drawings

NOTICE OF RIGHTS

This action is final and effective on the date filed with the Clerk of the Department unless a petition for an administrative hearing is timely filed under Sections 120.569 and 120.57, F.S., before the deadline for filing a petition. On the filing of a timely and sufficient petition, this action will not be final and effective until further order of the Department. Because the administrative hearing process is designed to formulate final agency action, the hearing process may result in a modification of the agency action or even denial of the request for a variance or waiver.

Petition for Administrative Hearing

A person whose substantial interests are affected by the Department's action may petition for an administrative proceeding (hearing) under Sections 120.569 and 120.57, F.S. Unless otherwise provided by statute, and except for agency enforcement and disciplinary actions that shall be initiated under Rule 28-106.2015, F.A.C., pursuant to Rule 28-106.201, F.A.C., a petition for an administrative hearing must contain the following information:

- (a) The name and address of each agency affected and each agency's file or identification number, if known;
- (b) The name, address, telephone number, and any e-mail address of the petitioner; the name, address, telephone number, and any e-mail address of the petitioner's representative, if any, which shall be the address for service purposes during the course of the proceeding; and an explanation of how the petitioner's substantial interests are or will be affected by the agency determination;
- (c) A statement of when and how the petitioner received notice of the agency decision;
- (d) A statement of all disputed issues of material fact. If there are none, the petition must so indicate;
- (e) A concise statement of the ultimate facts alleged, including the specific facts that the petitioner contends warrant reversal or modification of the agency's proposed action;
- (f) A statement of the specific rules or statutes that the petitioner contends require reversal or modification of the agency's proposed action, including an explanation of how the alleged facts relate to the specific rules or statutes; and
- (g) A statement of the relief sought by the petitioner, stating precisely the action that the petitioner wishes the agency to take with respect to the agency's proposed action.

The petition must be filed (received by the Clerk) in the Office of General Counsel of the Department at 3900 Commonwealth Boulevard, Mail Station 35, Tallahassee, Florida 32399-3000. The Agency Clerk's email is agency_clerk@FloridaDEP.gov. Also, a copy of the petition shall be mailed to the applicant at the address indicated above at the time of filing.

Time Period for Filing a Petition

In accordance with Rule 62-110.106(3), F.A.C., petitions for an administrative hearing must be filed within 21 days of receipt of this written notice. The failure to file a petition within the appropriate time period shall constitute a waiver of that person's right to request an administrative determination (hearing) under Sections 120.569 and 120.57, F.S., or to intervene in this proceeding and participate as a party to it. Any subsequent intervention (in a proceeding initiated by another party) will be only at the discretion of the presiding officer upon the filing of a motion in compliance with Rule 28-106.205, F.A.C.

Extension of Time

Under Rule 62-110.106(4), F.A.C., a person whose substantial interests are affected by the Department's action may also request an extension of time to file a petition for an administrative hearing. The Department may, for good cause shown, grant the request for an extension of time. Requests for extension of time must be filed with the Office of General Counsel of the Department at 3900 Commonwealth Boulevard, Mail Station 35, Tallahassee, Florida 32399-3000, before the applicable

deadline for filing a petition for an administrative hearing. A timely request for extension of time shall toll the running of the time period for filing a petition until the request is acted upon.

Mediation

Mediation is not available in this proceeding.

Judicial Review

Once this decision becomes final, any party to this action has the right to seek judicial review pursuant to Section 120.68, F.S., by filing a Notice of Appeal pursuant to Rules 9.110 and 9.190, Florida Rules of Appellate Procedure, with the Clerk of the Department in the Office of General Counsel, 3900 Commonwealth Boulevard, M.S. 35, Tallahassee, Florida 32399-3000; and by filing a copy of the Notice of Appeal accompanied by the applicable filing fees with the appropriate District Court of Appeal. The Notice of Appeal must be filed within 30 days from the date this action is filed with the Clerk of the Department.

Infiltrator Water Technologies, LLC

4 Business Park Road; P.O. Box 768
Old Saybrook, CT 06475

run date: 11/2/2023
TOTAL

TANK NUMBER	CATEGORY	WALL THICKNESS	LIQUID DEPTH	(TOP) EXTERIOR WIDTH	IN-OUT LENGTH	EFFECTIVE DROP	GALLONS (Pump Tanks)	TOTAL GALLONS	APPROVAL USE	DATE	FAMILY:
70-143-03S-C3	C3	0.50	38.00	47	50		250	310	D, L	10/12/2010	
REMARKS: Graywater, laundry, or pump tank, or part of a septic tank in series. Pump tank may be manufactured without outlet hole. TW-300											
70-143-04S-C3	C3	0.70	40.00	59.6	59.6		375	417	D	3/3/2009	
REMARKS: Can be used as a pump tank only. Insufficient airspace to be used as septic tank or laundry tank. Pump tank may be manufactured without outlet hole. TW-375											
70-143-05S-C3	C3	0.50	40.00	60.4	62.5		425	500	D, L	7/26/2010	
REMARKS: Graywater, laundry, or pump tank, or part of a septic tank in series. Pump tank may be manufactured without outlet hole. TW-500											
70-143-09D-C3	C3	0.70	40.00	66	96.2	2.75	900	1060	B	12/19/2008	
REMARKS: Dual compartment polyethylene tank with two internal stiffeners and baffle. baffle supported by two horizontal beams. TW-900											
70-143-09S-C3	C3	0.70	40.00	66	96.2	2.75	900	1060	B	7/29/2008	
REMARKS: Single compartment polyethylene tank with two internal stiffeners. TW-900											
70-143-10D-C3	C3	0.70	40.00	66	109.5	2.75	1050	1217	B	7/29/2008	
REMARKS: Dual compartment polyethylene tank with two internal stiffeners and baffle attached to stiffener. TW-1050											
70-143-10S-C3	C3	0.70	40.00	66	109.5	2.75	1050	1217	B	7/29/2008	
REMARKS: Single compartment polyethylene tank with two internal stiffeners. TW-1050											
70-143-11D-C3	C3	0.20	44.00	62.2	127	3	1090	1280	B	7/8/2011	
REMARKS: Dual compartment polypropylene tank with internal two vertical stiffeners and baffle attached to stiffener. Midseam length and width. Use of side inlets/outlets not allowed in Florida. Minimum burial depth is six inches. Approximate top length and width. IM-1060											
70-143-11D-C4	C4	0.20	44.00	62.2	127	2	1090	1280	B	7/8/2011	
REMARKS: Dual compartment polypropylene tank with internal two vertical stiffeners and six horizontal stiffeners, and baffle attached to stiffener. Midseam length and width. Use of side inlets/outlets not allowed in Florida. Minimum burial depth is six inches. IM-1060											
70-143-11S-C3	C3	0.20	44.00	62.2	127	3	1090	1280	B	7/8/2011	
REMARKS: Single compartment polypropylene tank with internal two vertical stiffeners. Midseam length and width. Use of side inlets/outlets not allowed in Florida. Minimum burial depth is six inches. Approximate top length and width. IM-1060											
70-143-11S-C4	C4	0.20	44.00	62.2	127	2	1090	1280	B	7/8/2011	
REMARKS: Single compartment polypropylene tank with internal two vertical stiffeners and six horizontal stiffeners. Midseam length and width. Use of side inlets/outlets not allowed in Florida. Minimum burial depth is six inches. IM-1060											
70-143-13D-C3	C3	0.70	40.00	66	129.5	2.75	1250	1451	B	7/29/2008	
REMARKS: Dual compartment polyethylene tank with three internal stiffeners and baffle attached to stiffener. TW-1250											
70-143-13S-C3	C3	0.70	40.00	66	129.5	2.75	1250	1451	B	7/29/2008	
REMARKS: Single compartment polyethylene tank with three internal stiffeners. TW-1250											
70-143-15D-C3	C3	0.70	40.00	66	155.9	2.75	1500	1766	B	7/29/2008	
REMARKS: Dual compartment polyethylene tank with three internal stiffeners and baffle attached to stiffener. TW-1500											

Infiltrator Water Technologies, LLC

4 Business Park Road; P.O. Box 768
Old Saybrook, CT 06475

run date: 11/2/2023
TOTAL

TANK NUMBER	CATEGORY	WALL THICKNESS	LIQUID DEPTH	(TOP) EXTERIOR WIDTH	IN-OUT EFFECTIVE LENGTH	DROP	GALLONS (Pump Tanks)	TOTAL GALLONS	APPROVAL USE DATE	FAMILY:
70-143-15S-C3	C3	0.70	40.00	66	155.9	2.75	1500	1766	B 7/29/2008	
REMARKS: Single compartment polyethylene tank with three internal stiffeners. TW-1500										
70-143-16D-C4	C4	0.20	44.00	61.7	175.6	2	1537	1750	B,D,L 4/3/2014	5
REMARKS: Dual compartment polypropylene tank with four vertical stiffeners and baffle attached to stiffener. Midseam length and width. Use of side inlets/outlets not allowed in Florida. Minimum burial depth is six inches. IM-1530										
70-143-16S-C4	C4	0.20	44.00	61.7	175.6	2	1537	1750	B,D,L 4/3/2014	5
REMARKS: Single compartment polypropylene tank with four vertical stiffeners. Midseam length and width. Use of side inlets/outlets not allowed in Florida. Minimum burial depth is six inches. IM-1530.										
70-143-21D-C4	C4	0.20	44.00	61.7	134.2	2	1111	1309		4/8/2022
REMARKS: Dual compartment polypropylene tank with internal two vertical stiffeners and baffle attached to stiffener. Midseam length and width. Use of side inlets/outlets not allowed in Florida. Minimum burial is six inches. CM-1060.										
70-143-21S-C4	C4	0.20	44.00	61.7	134.2	2	1111	1309		4/8/2022
REMARKS: Single compartment polypropylene tank with internal two vertical stiffeners. Midseam length and width. Use of side inlets/outlets not allowed in Florida. Minimum burial is six inches. CM-1060										
70-143-54S-C4	C4	0.20	44.00	61.7	64.9	2	483	557	B, G, D, 8/21/2013	
REMARKS: Polypropylene laundry, or pump tank, or part of a septic tank in series. The tank can have the usual 4-inch diameter outlet hole. It also may have no outlet hole; or two 1.5-inch diameter holes, one centered on the center of the usual outlet hole, the second centered four inches above the center of the first. As with all Infiltrator tanks, any holes must be installed by the manufacturer or certified assembler. Approved as a pretreatment tank for the 70-143-EP5S-C3 or 70-143-EP5S-C4 ECOPOD/IM 1060 combination. Midseam length and width. Use of side inlets/outlets not allowed in Florida. Minimum burial depth is six inches. IM-540										
70-143-EA5-C4	C4	0.20	44.00	62.2	127	2	1090	1280		10/20/2020
REMARKS: Three compartment polypropylene tank. Two vertical, two lateral and four diagonal horizontal stiffeners. Houses Delta Enviro-Aire 52.5 ATU (525 gal/day). Midseam length and width. Use of side inlets/outlets not allowed in Florida. Minimum burial depth is six inches. IM 1060.										
70-143-EA6-C4	C4	0.20	44.00	61.7	134.2	2	1111	1309		7/14/2023
REMARKS: Three compartment polypropylene tank with two internal vertical stiffeners, two lateral and four diagonal horizontal stiffeners. Houses Delta Enviro-Aire 52.5 ATU (525 gal/day). The Delta Enviro-Aire 52.5 is NSF 40-certified. Midseam length and width. Use of side inlets/outlets not allowed in Florida. Minimum burial is six inches. CM-1060.										
70-143-EA7-C4	C4	0.20	44.00	61.7	175.6	2	1537	1750		10/20/2020
REMARKS: Three compartment polypropylene tank. Four vertical, three lateral and four diagonal horizontal stiffeners. Houses Delta Enviro-Aire EA75 ATU (750 gal/day). Inlet/outlet reversed from usual IM 1530. Midseam length and width. Use of side inlets/outlets not allowed in Florida. Minimum burial depth is six inches.										
70-143-EP10S-C4	C4	0.20	44.00	61.7	175.6	2	1537	1750	ATU 12/23/2019	
REMARKS: Single compartment polypropylene tank with four vertical stiffeners. Houses Delta ECOPOD E100-N-IM1530 (1000 gal/day). Requires min 1000-gal pretreatment tank; max pretreatment volume is 2.5 times daily treatment capacity unless specified by the design engineer. The Delta ECOPOD ATU is NSF 245-certified. Midseam length and width. Use of side inlets/outlets not allowed in Florida. Minimum burial depth is six inches.										

Infiltrator Water Technologies, LLC

4 Business Park Road; P.O. Box 768
Old Saybrook, CT 06475

run date: 11/2/2023
TOTAL

TANK NUMBER	CATEGORY	WALL THICKNESS	LIQUID DEPTH	(TOP) EXTERIOR WIDTH	IN-OUT EFFECTIVE LENGTH	DROP	GALLONS (Pump Tanks)	GALLONS	APPROVAL USE DATE	FAMILY:
70-143-EP5S-C3	C3	0.20	44.00	62.2	127	2	1090	1280	ATU	1/9/2019
REMARKS: Single compartment polypropylene tank, two vertical stiffeners. Houses Delta ECOPOD E50-N-IM1060 (500 gal/day). Requires min 500-gal or 70-143-54S-C4 pretreatment tank; max pretreatment volume is 2.5 times daily treatment capacity unless specified by the design engineer. The Delta ECOPOD ATU is NSF 245-certified. Midseam length and width. Use of side inlets/outlets not allowed in Florida. Minimum burial depth is six inches.										
70-143-EP5S-C4	C4	0.20	44.00	62.2	127	2	1090	1280	ATU	8/9/2019
REMARKS: Single compartment polypropylene tank, two vertical and six horizontal stiffeners. Houses Delta ECOPOD E50-N-IM1060 (500 gal/day). Requires min 500-gal or 70-143-54S-C4 pretreatment tank; max pretreatment volume is 2.5 times daily treatment capacity unless specified by the design engineer. The Delta ECOPOD ATU is NSF 245-certified. Midseam length and width. Use of side inlets/outlets not allowed in Florida. Minimum burial depth is six inches.										
70-143-EP6S-C3	C3	0.20	44.00	62.2	127	2	1090	1280	ATU	1/9/2019
REMARKS: Single compartment polypropylene tank, two vertical stiffeners. Houses Delta ECOPOD E60-N-IM1060 (600 gal/day). Requires min 600-gal pretreatment tank; max pretreatment volume is 2.5 times daily treatment capacity unless specified by the design engineer. The Delta ECOPOD ATU is NSF 245-certified. Midseam length and width. Use of side inlets/outlets not allowed in Florida. Minimum burial depth is six inches.										
70-143-EP6S-C4	C4	0.20	44.00	62.2	127	2	1090	1280	ATU	8/9/2019
REMARKS: Single compartment polypropylene tank, two vertical and six horizontal stiffeners. Houses Delta ECOPOD E60-N-IM1060 (600 gal/day). Requires min 600-gal pretreatment tank; max pretreatment volume is 2.5 times daily treatment capacity unless specified by the design engineer. The Delta ECOPOD ATU is NSF 245-certified. Midseam length and width. Use of side inlets/outlets not allowed in Florida. Minimum burial depth is six inches.										
70-143-EP7S-C4	C4	0.20	44.00	62.2	127	2	1090	1280	ATU	8/9/2019
REMARKS: Single compartment polypropylene tank, two vertical and six horizontal stiffeners. Houses Delta ECOPOD E75-N-IM1060 (750 gal/day). Requires min 750-gal pretreatment tank; max pretreatment volume is 2.5 times daily treatment capacity unless specified by the design engineer. The Delta ECOPOD ATU is NSF 245-certified. Midseam length and width. Use of side inlets/outlets not allowed in Florida. Minimum burial depth is six inches.										
70-143-EP7S-C3	C3	0.20	44.00	62.2	127	2	1090	1280	ATU	1/9/2019
REMARKS: Single compartment polypropylene tank, two vertical stiffeners. Houses Delta ECOPOD E75-N-IM1060 (750 gal/day). Requires min 750-gal pretreatment tank; max pretreatment volume is 2.5 times daily treatment capacity unless specified by the design engineer. The Delta ECOPOD ATU is NSF 245-certified. Midseam length and width. Use of side inlets/outlets not allowed in Florida. Minimum burial depth is six inches.										
70-143-EPC5S-C4	C4	0.20	44.00	61.7	134.2	2	1111	1309		6/23/2022
REMARKS: Single compartment polypropylene tank with two internal vertical stiffeners. Houses Delta ECOPOD E50-N (500 gal/day). Requires min 500-gallon or 70-143-54S-C4 pretreatment tank; max pretreatment volume is 2.5 times daily treatment capacity unless specified by the design engineer. The Delta ECOPOD ATU is NSF 245-certified. Midseam length and width. Use of side inlets/outlets not allowed in Florida. Minimum burial is six inches. CM-1060.										
70-143-EPC6S-C4	C4	0.20	44.00	61.7	134.2	2	1111	1309		6/23/2022
REMARKS: Single compartment polypropylene tank with two internal vertical stiffeners. Houses Delta ECOPOD E60-N (600 gal/day). Requires min 600-gallon pretreatment tank; max pretreatment volume is 2.5 times daily treatment capacity unless specified by the design engineer. The Delta ECOPOD ATU is NSF 245-certified. Midseam length and width. Use of side inlets/outlets not allowed in Florida. Minimum burial is six inches. CM-1060.										
70-143-EPC7S-C4	C4	0.20	44.00	61.7	134.2	2	1111	1309		6/23/2022
REMARKS: Single compartment polypropylene tank with two internal vertical stiffeners. Houses Delta ECOPOD E75-N (750 gal/day). Requires min 750-gallon pretreatment tank; max pretreatment volume is 2.5 times daily treatment capacity unless specified by the design engineer. The Delta ECOPOD ATU is NSF 245-certified. Midseam length and width. Use of side inlets/outlets not allowed in Florida. Minimum burial is six inches. CM-1060.										

Infiltrator Water Technologies, LLC

4 Business Park Road; P.O. Box 768
Old Saybrook, CT 06475

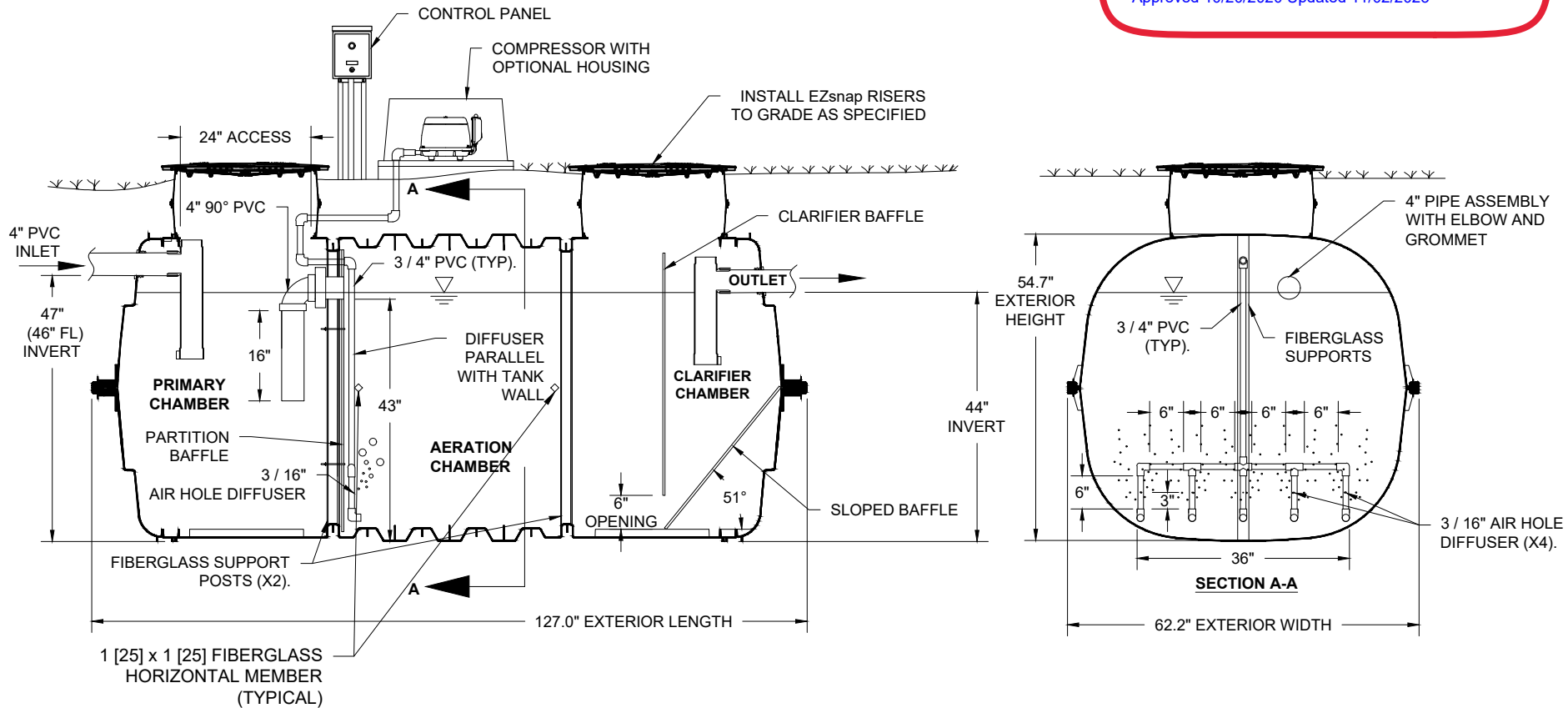
run date: 11/2/2023
TOTAL

TANK NUMBER	CATEGORY	WALL THICKNESS	LIQUID DEPTH	(TOP) EXTERIOR WIDTH	IN-OUT LENGTH	EFFECTIVE DROP	GALLONS (Pump Tanks)	TOTAL GALLONS	APPROVAL USE DATE	FAMILY:
70-143-NR5-C4	C4	0.20	44.00	62.2	127	2	1090	1280	6/28/2023	
REMARKS: Single compartment polypropylene tank. Two vertical, two lateral and four diagonal horizontal stiffeners. Houses Delta Ecopod E-50NR (500 gal/day). Requires min 475 gal pretreatment volume; max pretreatment volume is 2.5 times daily treatment capacity unless specified by the design engineer. The Delta Ecopod E-50NR ATU is NSF 245-certified. Midseam length and width. Use of side inlets/outlets not allowed in Florida. Minimum burial depth is six inches. IM 1060.										
70-143-NRC5-C4	C4	0.20	44.00	61.7	134.2	2	1111	1309	6/28/2023	
REMARKS: Single compartment polypropylene tank. Two vertical stiffeners. Houses Delta Ecopod E-50NR (500 gal/day). Requires min 475 gal pretreatment volume; max pretreatment volume is 2.5 times daily treatment capacity unless specified by the design engineer. The Delta Ecopod E-50NR ATU is NSF 245-certified. Midseam length and width. Use of side inlets/outlets not allowed in Florida. Minimum burial depth is six inches. CM 1060.										
70-143-NX5-C4	C4	0.20	44.00	62.2	127	2	1090	1280	9/20/2023	
REMARKS: Single compartment polypropylene tank. Two vertical, two lateral and four diagonal horizontal stiffeners. Houses Delta Ecopod E-50NX (500 gal/day). Requires min 475 gal pretreatment volume; max pretreatment volume is 2.5 times daily treatment capacity unless specified by the design engineer. The Delta Ecopod E-50NX ATU is NSF 245-certified. Midseam length and width. Use of side inlets/outlets not allowed in Florida. Minimum burial depth is six inches. IM 1060.										
70-143-NXC5-C4	C4	0.20	44.00	61.7	134.2	2	1111	1309	9/20/2023	
REMARKS: Single compartment polypropylene tank. Two vertical stiffeners. Houses Delta Ecopod E-50NX (500 gal/day). Requires min 475 gal pretreatment volume; max pretreatment volume is 2.5 times daily treatment capacity unless specified by the design engineer. The Delta Ecopod E-50NX ATU is NSF 245-certified. Midseam length and width. Use of side inlets/outlets not allowed in Florida. Minimum burial depth is six inches. CM 1060.										
70-143-PS1A-C4	C4	0.20		61.7	64.9	3	483	557	ATU	5/7/2020
REMARKS: Polypropylene. Houses the Anua PuraSys PS1-5 to PS1-8 ATU. Requires single or dual compartment pretreatment tank, sized using Table II of 64E-6, Florida Administrative Code based on the unit treatment capacity. The PuraSys is NSF 245 certified. Variation of IM-540. Revised drawing approved 8/4/2021. Midseam length and width. Use of side inlets/outlets not allowed in Florida. Minimum burial depth is six inches.										
70-143-PS1B-C4	C4	0.20		62.2	127		1090	1280	ATU	5/7/2020
REMARKS: Polypropylene. Houses the Anua PuraSys PS1-9 to PS1-13 ATU. No inlet and outlet holes. Requires single or dual compartment pretreatment tank, sized using Table II of 64E-6, Florida Administrative Code based on the unit treatment capacity. The PuraSys is NSF 245 certified. Variation of IM-1060. Two vertical stiffeners and six horizontal stiffeners. Midseam length and width. Use of side inlets/outlets not allowed in Florida. Minimum burial depth is six inches.										

Florida Department of Environmental Protection
70-143-EA5-C4


Three compartment polypropylene tank. Two vertical, two lateral and four diagonal horizontal stiffeners. Houses Delta Enviro-Aire 52.5 ATU (525 gal/day). Midseam length and width. Use of side inlets/outlets not allowed in Florida. Minimum burial depth is six inches. IM 1060.

Approved 10/20/2020 Updated 11/02/2023



Q:\Technical Resources New\02--ISI- PRODUCTS\25 - Delta Products\2022 Drawings\FL Delta Drawings

- NOTES:
1. INSTALL ENVIRO-AIRE AREOBIC TREATMENT UNIT PER INSTALLATION INSTRUCTIONS.
 2. INSTALL TANK PER INSTALLATION INSTRUCTIONS.
 3. AIR COMPRESSOR INSTALLED WITHIN 100 FT OF THE TANK.
 4. FLORIDA CATEGORY 4 BRACING INCLUDES TWO (2) HORIZONTAL STIFFENERS AND FOUR (4) DIAGONAL STIFFENERS.
 5. DIAGONAL AND HORIZONTAL STIFFENERS NOT SHOWN.

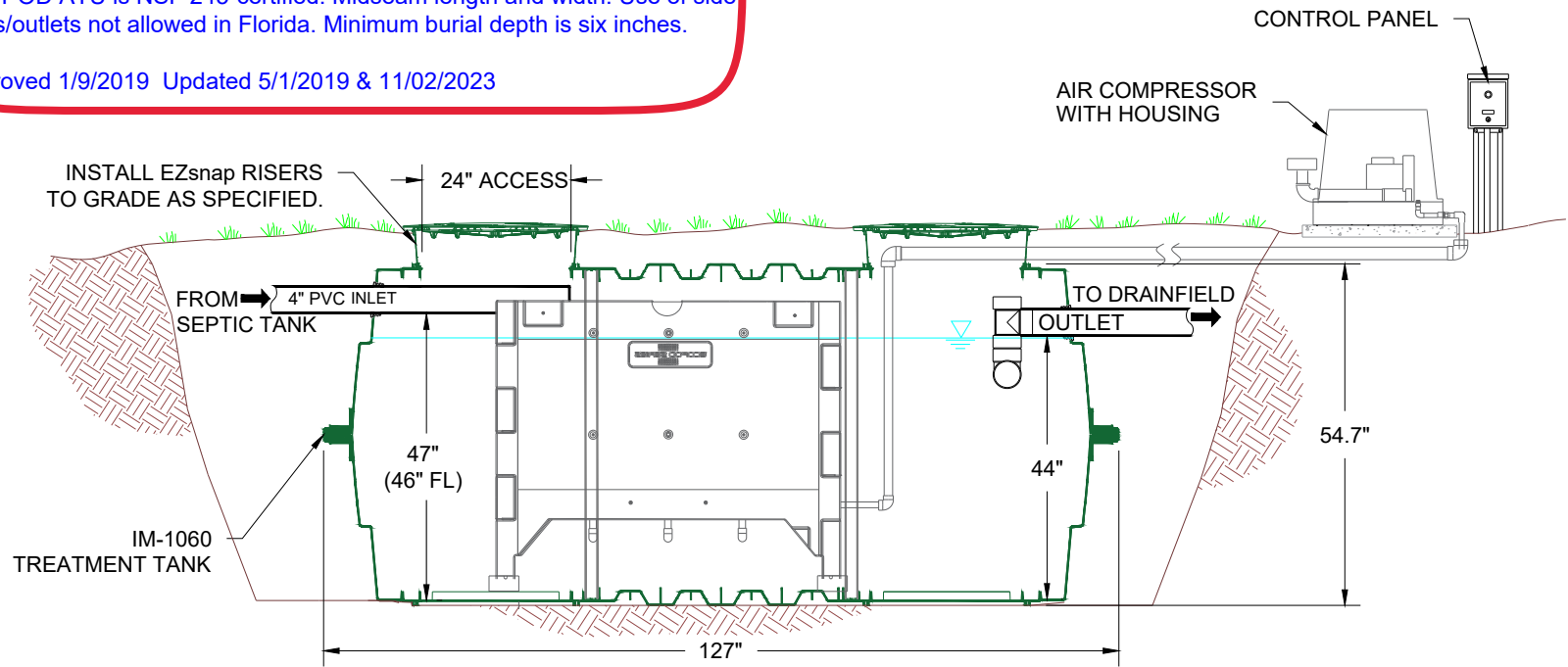
 DELTA TREATMENT SYSTEMS, LLC 9125 Comar Dr. Walker, LA 70785 (800) 219-9183	CATEGORY 4 IM-1060 WITH ENVIRO-AIRE EA52.5 TYPICAL CROSS SECTION DETAIL		
	Drawn by: JLK Scale: NOT TO SCALE	Edited: 11/12/2020 Checked by:	Date: 9/16/2020 Sheet: 1 OF 1

Q:\Technical Resources New\02--ISI_PRODUCTS\25 - Delta Products\2018 Drawings\ECOPOD - ECOPOD-E50NIM INSTALLED WITH IM-1060 TANK

Florida Department of Environmental Protection
70-143-EP5S-C3

Single compartment polypropylene tank, two vertical stiffeners. Houses Delta ECOPOD E50-N-IM1060 (500 gal/day). Requires min 500-gal or 70-143-54S-C4 pretreatment tank; max pretreatment volume is 2.5 times daily treatment capacity unless specified by the design engineer. The Delta ECOPOD ATU is NSF 245-certified. Midseam length and width. Use of side inlets/outlets not allowed in Florida. Minimum burial depth is six inches.

Approved 1/9/2019 Updated 5/1/2019 & 11/02/2023



NOTES:

1. INSTALL TANK PER INSTALLATION INSTRUCTIONS
2. AIR COMPRESSOR INSTALLED WITHIN 100 FT OF THE TANK.



INFILTRATOR WATER TECHNOLOGIES
4 Business Park Rd. Old Saybrook, CT 06475
(800) 221-4436

ECOPOD-E50NIM
INSTALLED WITH IM-1060 TANK
TYPICAL CROSS SECTION DETAIL

Drawn by: RYAN D.	Modified by:	Date: 2/13/2019
Scale: NOT TO SCALE	Checked by:	Sheet: 1 OF 1

Florida Department of Environmental Protection
70-143-EP6S-C3

Single compartment polypropylene tank, two vertical stiffeners. Houses Delta ECOPOD E60-N-IM1060 (600 gal/day). Requires min 600-gal pretreatment tank; max pretreatment volume is 2.5 times daily treatment capacity unless specified by the design engineer. The Delta ECOPOD ATU is NSF 245-certified. Midseam length and width. Use of side inlets/outlets not allowed in Florida. Minimum burial depth is six inches.

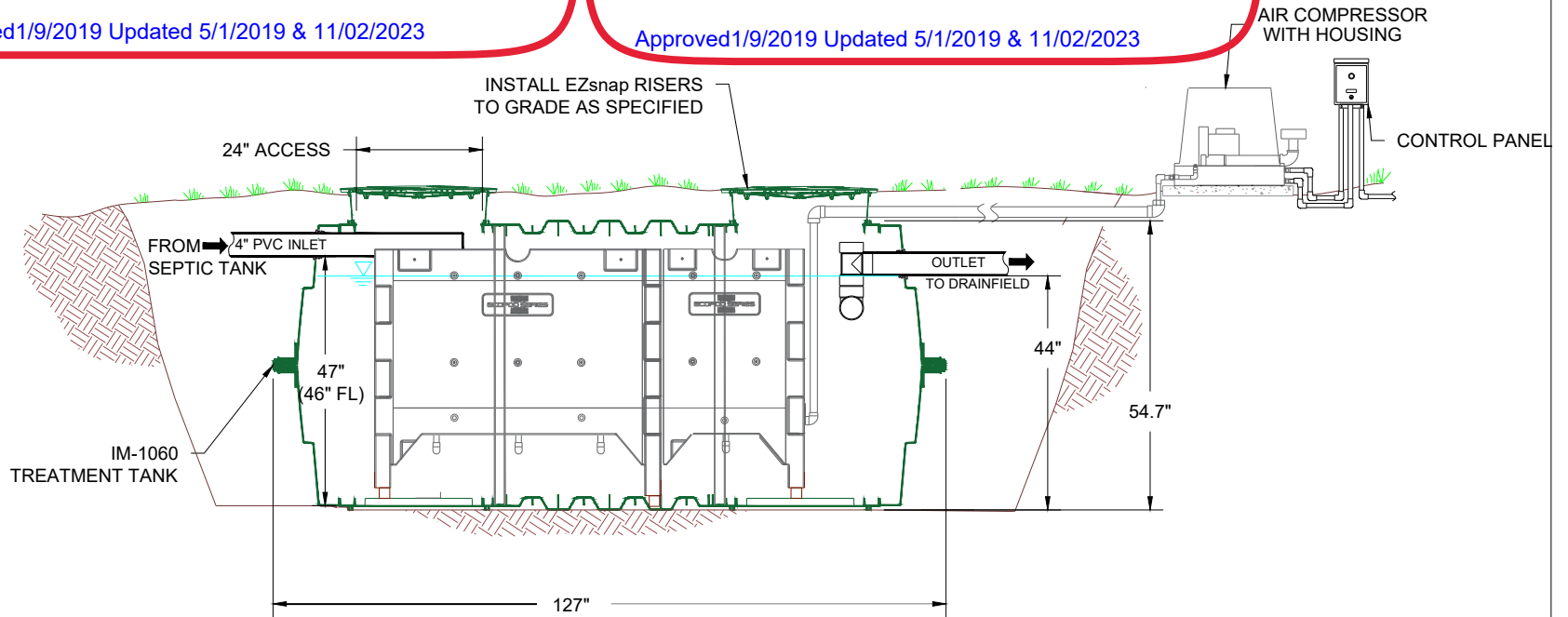
Approved 1/9/2019 Updated 5/1/2019 & 11/02/2023

Florida Department of Environmental Protection
70-143-EP7S-C3

Single compartment polypropylene tank, two vertical stiffeners. Houses Delta ECOPOD E75-N-IM1060 (750 gal/day). Requires min 750-gal pretreatment tank; max pretreatment volume is 2.5 times daily treatment capacity unless specified by the design engineer. The Delta ECOPOD ATU is NSF 245-certified. Midseam length and width. Use of side inlets/outlets not allowed in Florida. Minimum burial depth is six inches.

Approved 1/9/2019 Updated 5/1/2019 & 11/02/2023

Q:\Technical Resources New\02--IS\PRODUCTS\25 - Delta Products\2018 Drawings\ECOPOD - ECOPOD-E60NIM/E75NIM INSTALLED WITH IM-1060 TANK



NOTES:

1. INSTALL TANK PER INSTALLATION INSTRUCTIONS
2. AIR COMPRESSOR INSTALLED WITHIN 100 FT OF THE TANK.



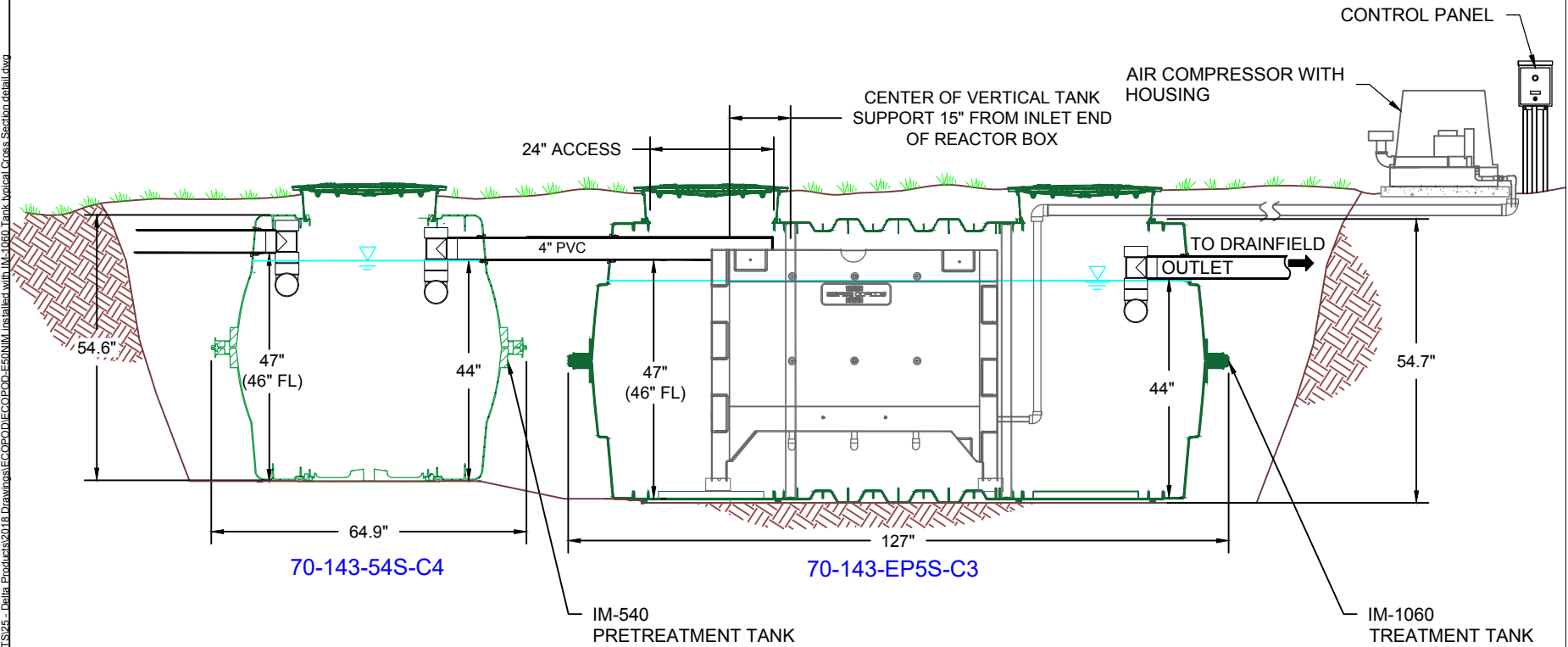
INFILTRATOR WATER TECHNOLOGIES
4 Business Park Rd. Old Saybrook, CT 06475
(800) 221-4436


ECOPOD-E60NIM/E75NIM
INSTALLED WITH IM-1060 TANK
TYPICAL CROSS SECTION DETAIL

Drawn by: RYAN D.	Modified by:	Date: 2/14/2019
Scale: NOT TO SCALE	Checked by: DFH	Sheet: 1 OF 1

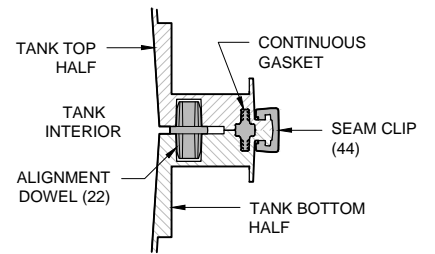
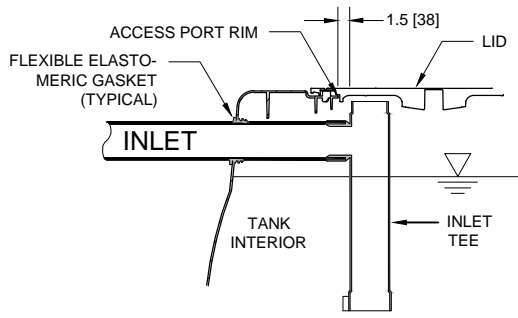
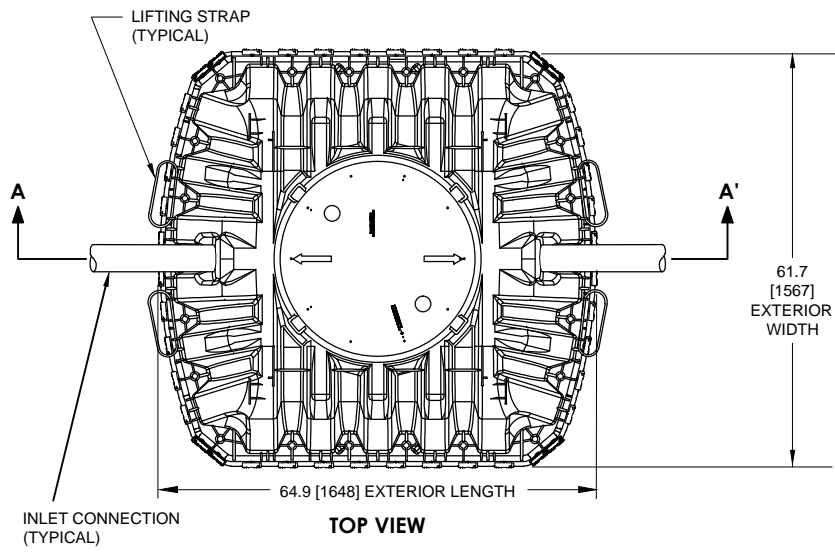
70-143-EP5S-C3 approved for use with
 70-143-54S-C4 as a pretreatment tank
 1/9/2019

C:\Technical Resources\New02\SI_PROD\UCTS25\Delta_Eructas2018_Drawings\ECOPD\ECOPD-E50NIM_Installed_with_IM-1060_Tank_Typical_Cross_Section_Detail.dwg



		INFILTRATOR WATER TECHNOLOGIES 4 Business Park Rd. Old Saybrook, CT 06475 (800) 221-4436		
		IM-540 AS PRETREATMENT TANK BEFORE ECOPOD E50-N TYPICAL CROSS SECTION DETAIL		
Drawn by: E. Alv.	Date: 10/05/2018	Scale: NOT TO SCALE	Checked by:	Sheet: 1 OF 1

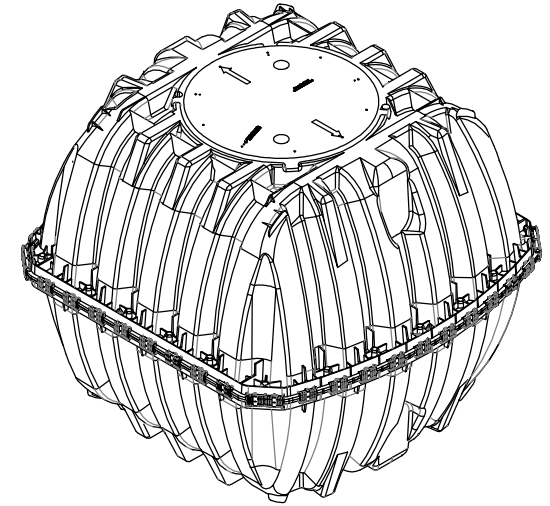
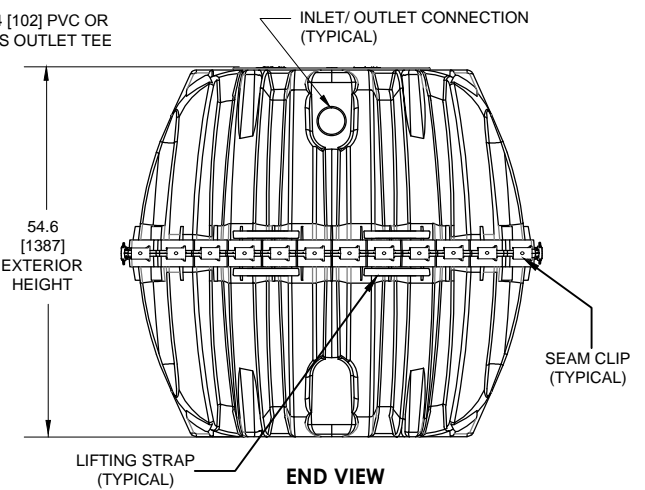
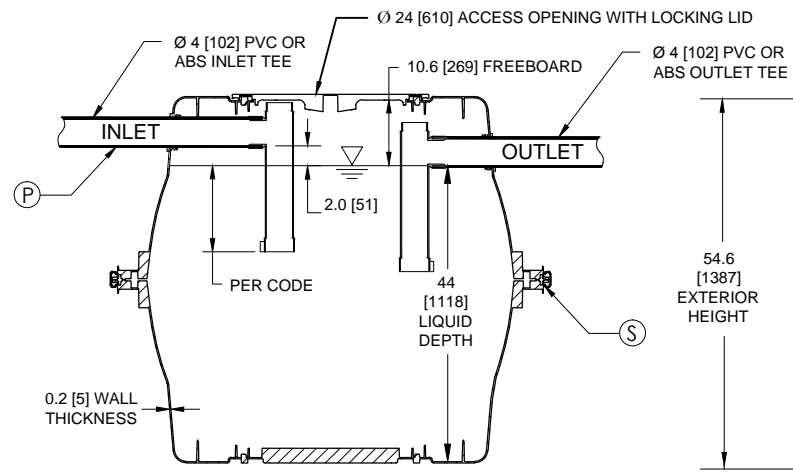
Q:\Technical Resources New\02-Isi_Products\Tanks\Injection-Molded Tank\IM-540\State Specific Drawings\FL\IM-540-FL_07162013



TANK EXTERIOR	
LENGTH	64.9 [1,648]
WIDTH	61.7 [1,567]
HEIGHT	54.6 [1,387]

LIQUID DEPTH	44.0 [1,118]
INVERT DROP	2.0 [51]
FREEBOARD	10.6 [269]

TOTAL CAPACITY	552 GAL [2,089 L]
WORKING VOLUME	475 GAL [1,798 L]



NOTES:

- ALL DRAWING DIMENSIONS IN INCHES [MILLIMETERS] OR AS NOTED.
- EXTERIOR OF ACCESS OPENING LID INCLUDES THE FOLLOWING WARNING IN ENGLISH, FRENCH & SPANISH: "DANGER DO NOT ENTER: POISON GASES."
- TANK MARKINGS WILL INCLUDE: MANUFACTURER NAME, MODEL NUMBER, LIQUID CAPACITY, DATE OF MANUFACTURE CODE, MAXIMUM BURIAL DEPTH, INLET, AND OUTLET.
- MAXIMUM BURIAL DEPTH IS 48 in [1,219 mm].
- MINIMUM BURIAL DEPTH IS 6 in [152 mm].
- MAXIMUM VEHICLE LOAD IS 4,500-lb [20-kN] AXLE LOAD.
- TANK IS FOR NON-TRAFFIC APPLICATIONS.
- AIRSPACE IS 16.2%.
- OUTLET TEE IS COMPATIBLE WITH AN EFFLUENT FILTER.
- INLET TEE IS SHOWN, BUT ONLY IF REQUIRED BY REGULATION..

70-143-54S-C4 approved 8/21/2013
 Approved for use as a pretreatment tank for
 70-143-EP5S-C3 1/9/2019



Infiltrator Systems Inc.
 4 Business Park Rd. Old Saybrook, CT 06475
 (800) 221-4436

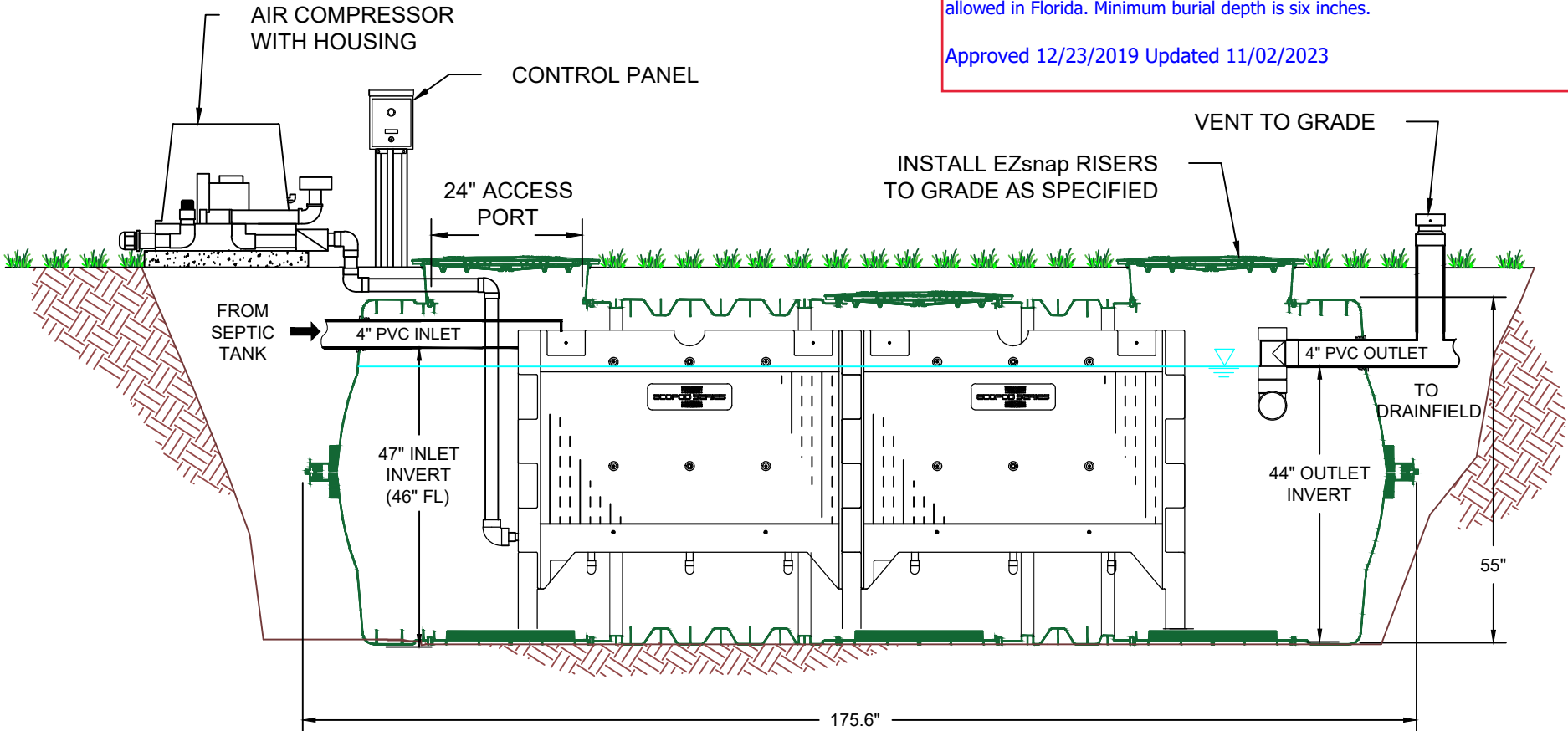
Florida IM-540 Tank Configuration

Drawn by: GCS	Checked by: DJL	Date: 07-16-13
Scale: Not to scale	Drawing: IM-540-FL	Sheet: 1 of 1

Florida Department of Environmental Protection
70-143-EP10S-C4


Single compartment polypropylene tank with four vertical stiffeners. Houses Delta ECOPOD E100-N-IM1530 (1000 gal/day). Requires min 1000-gal pretreatment tank; max pretreatment volume is 2.5 times daily treatment capacity unless specified by the design engineer. The Delta ECOPOD ATU is NSF 245-certified. Midseam length and width. Use of side inlets/outlets not allowed in Florida. Minimum burial depth is six inches.

Approved 12/23/2019 Updated 11/02/2023



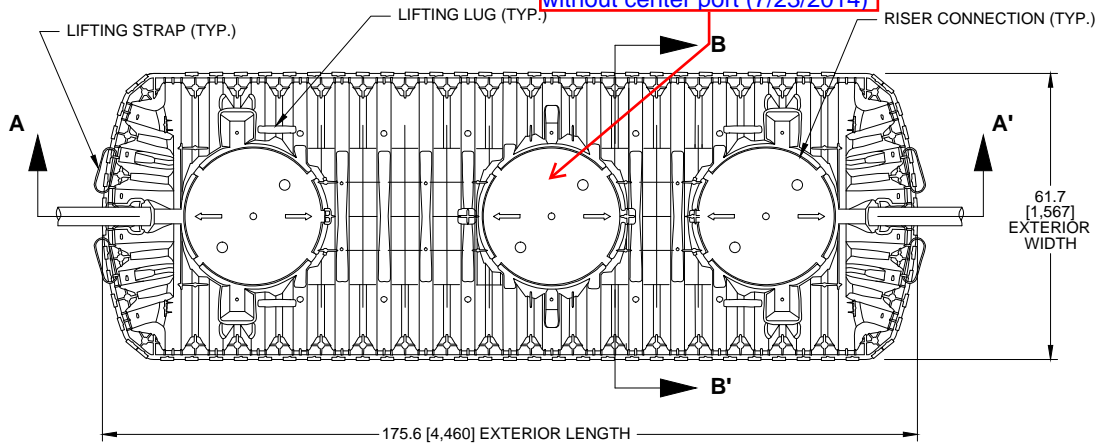
E100-N IM-1530
REACTOR TANK

- NOTES:
1. INSTALL TANK PER INSTALLATION INSTRUCTIONS
 2. AIR COMPRESSOR INSTALLED WITHIN 100 FT OF THE TANK.
 3. AIR PIPING INSTALLED ON INLET END OF TANK FOR ECOPOD E100-N

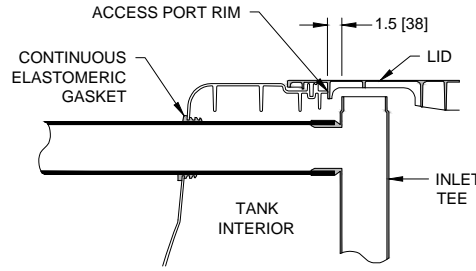
IM-1530 WITH ECOPOD E100-N TYPICAL CROSS SECTION DETAIL		 DELTA TREATMENT SYSTEMS 9125 COMAR DRIVE, WALKER, LA (800) 219-9183	
Drawn by: RCA	Date: 11/21/2019		
Scale: NOT TO SCALE	Checked by: DFH	Sheet: 1 of 1	

C:\Technical Resources\New\02-15\PRODUCTS\25 - Delta Products\ECOPOD\E100-N

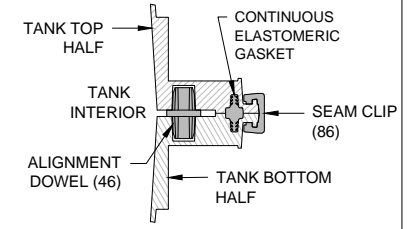
Note: two access port option without center port (7/23/2014)



TOP VIEW



PIPE PENETRATION SECTION DETAIL



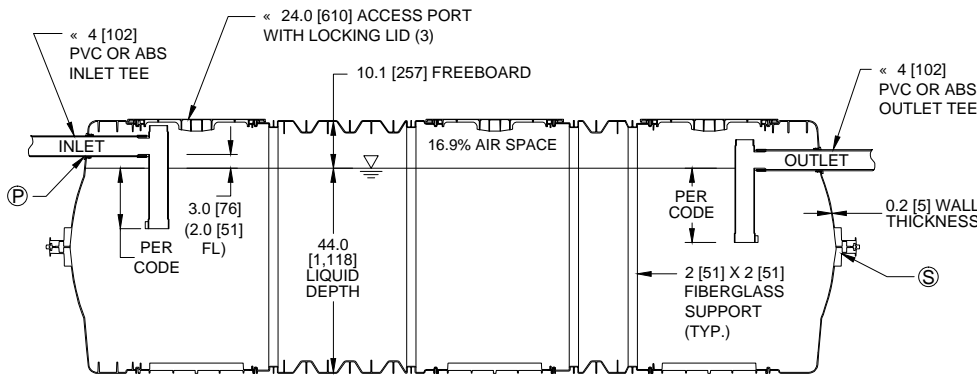
MID-HEIGHT SEAM SECTION DETAIL

TANK EXTERIOR	
LENGTH	175.6 [4,460]
WIDTH	61.7 [1,567]
HEIGHT	54.5 [1,384]

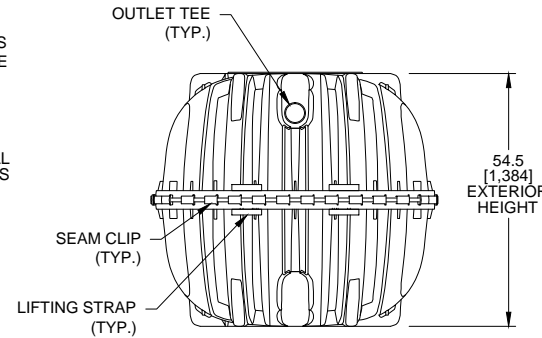
LIQUID DEPTH	44.0 [1,118]
INVERT DROP	2.0 [51]
FREEBOARD	10.1 [257]

TOTAL CAPACITY	1,765 GAL [6,630 L]
WORKING VOLUME	1,509 GAL [5,710 L]

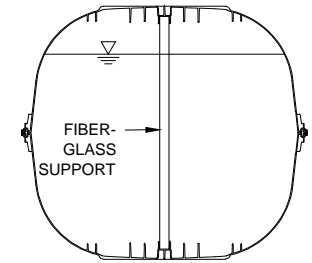
Listed based on subsequent information:
1750 Gallons
1537 Gallons



SECTION A - A'



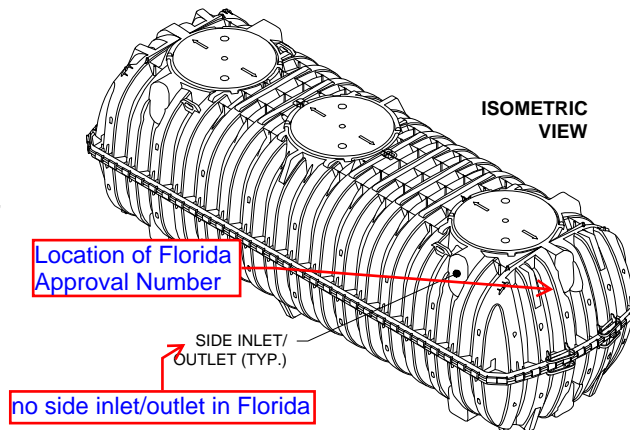
END VIEW



SECTION B - B'

NOTES:

- ALL DRAWING DIMENSIONS IN INCHES [MILLIMETERS] OR AS NOTED.
- EXTERIOR OF ACCESS OPENING LID INCLUDES THE FOLLOWING WARNING IN ENGLISH, FRENCH & SPANISH: "DANGER DO NOT ENTER: POISON GASES."
- TANK MARKINGS WILL INCLUDE: MANUFACTURER NAME, MODEL NUMBER, LIQUID CAPACITY, DATE OF MANUFACTURE, MAXIMUM BURIAL DEPTH, INLET, AND OUTLET.
- MAXIMUM BURIAL DEPTH IS 48 in [1,219 mm].
- MINIMUM BURIAL DEPTH IS 6 in [152 mm].
- TANK IS FOR NON-TRAFFIC APPLICATIONS.
- AIRSPACE IS 16.9%.
- OUTLET TEE IS COMPATIBLE WITH AN EFFLUENT FILTER.
- LENGTH TO WIDTH RATIO IS 2.8:1 (175.6-INCH LENGTH / 61.7-INCH WIDTH = 2.8).



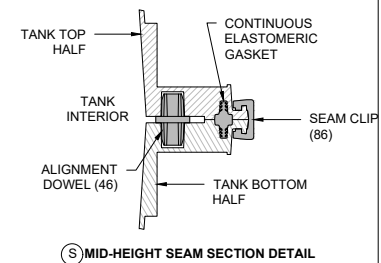
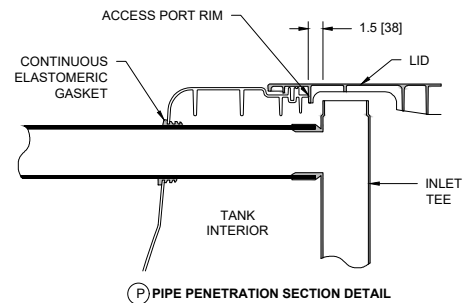
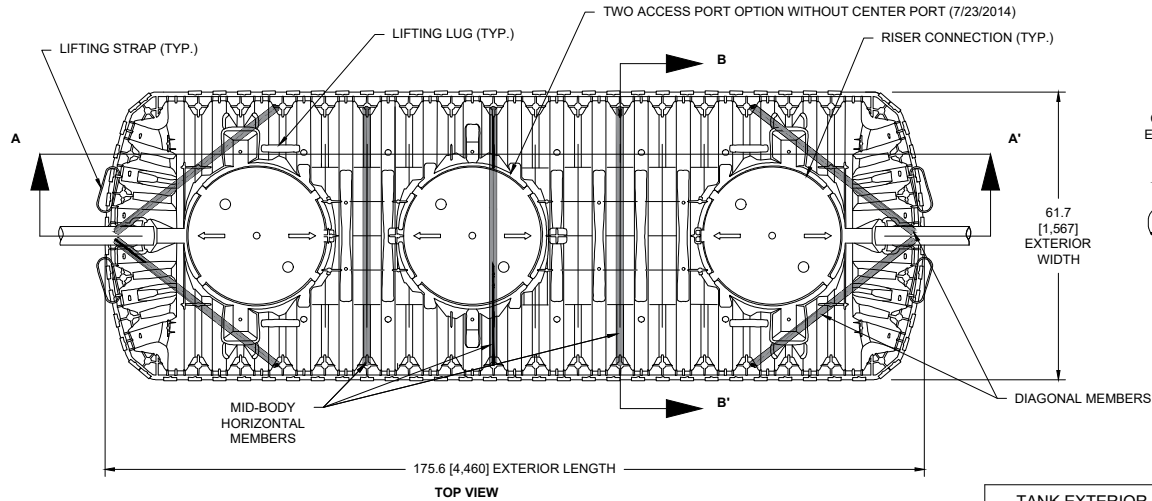
ISOMETRIC VIEW



INFILTRATOR SYSTEMS INC.
4 Business Park Rd. Old Saybrook, CT 06475
(800) 221-4436

IM-1530
1-Compartment Septic/Pump Tank Configuration

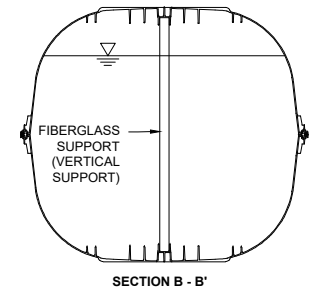
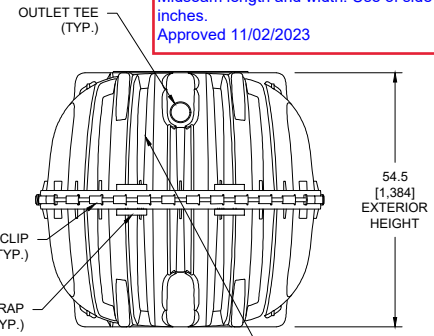
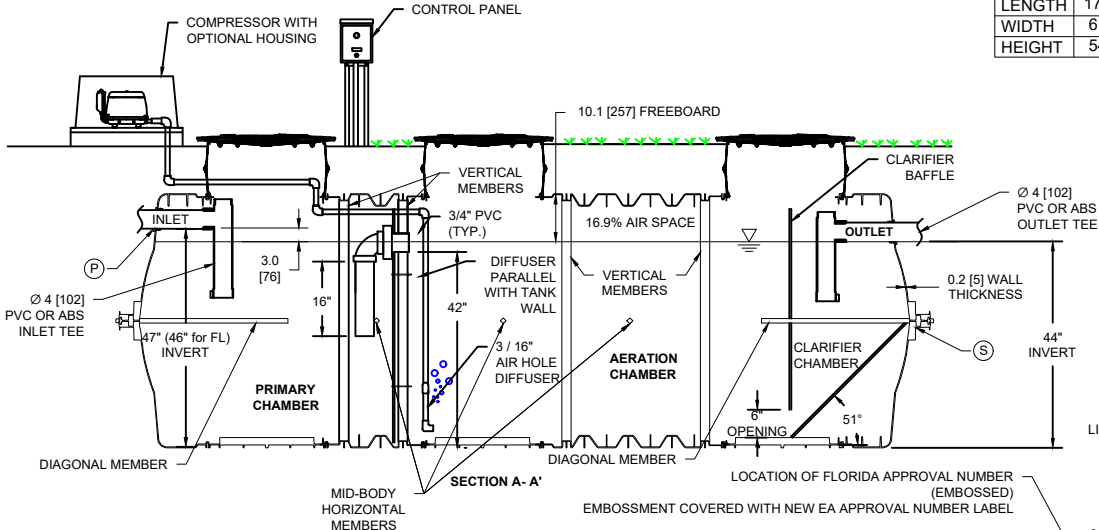
Drawn by: JLB	Date: 10/09/2013
Scale: NOT TO SCALE	Checked by: DJL
	Sheet: 1 of 1



TANK EXTERIOR	
LENGTH	175.6 [4,460]
WIDTH	61.7 [1,567]
HEIGHT	54.5 [1,384]

LIQUID DEPTH	44.0 [1,118]
INVERT DROP	2.0 [51]
FREEBOARD	10.1 [257]

TOTAL CAPACITY	1,750 GAL [6,624 L]
WORKING VOLUME	1,537 GAL [5,818 L]

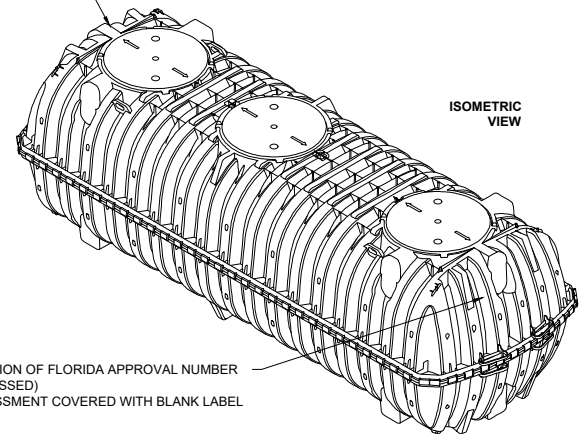



70-143-EA7-C4
 Three compartment polypropylene tank. Four vertical, three lateral and four diagonal horizontal stiffeners. Houses Delta Enviro-Aire EA75 ATU (750 gal/day). Inlet/outlet reversed from usual IM 1530. Midseam length and width. Use of side inlets/outlets not allowed in Florida. Minimum burial depth is six inches.
 Approved 11/02/2023

NOTICE: THIS DRAWING IS FOR THE EA75 TO BE INSTALLED IN THE IM-1530 TANK ONLY.

NOTES:

- THIS DRAWING IS FOR THE EA75 INSTALLED IN THE IM-1530 ONLY.
- ALL DRAWING DIMENSIONS IN INCHES [MILLIMETERS] OR AS NOTED.
- EXTERIOR OF ACCESS OPENING LID INCLUDES THE FOLLOWING WARNING IN ENGLISH, FRENCH & SPANISH: "DANGER DO NOT ENTER: POISON GASES."
- TANK MARKINGS WILL INCLUDE: MANUFACTURER NAME, MODEL NUMBER, LIQUID CAPACITY, DATE OF MANUFACTURE, MAXIMUM BURIAL DEPTH, INLET, AND OUTLET.
- MAXIMUM BURIAL DEPTH IS 48 in [1,219 mm].
- MINIMUM BURIAL DEPTH IS 6 in [152 mm].
- TANK IS FOR NON-TRAFFIC APPLICATIONS.
- AIRSPACE IS 16.9%.
- OUTLET TEE IS COMPATIBLE WITH AN EFFLUENT FILTER.
- LENGTH TO WIDTH RATIO IS 2.8:1 (175.6-INCH LENGTH / 61.7-INCH WIDTH = 2.8).





INFILTRATOR WATER TECHNOLOGIES
 4 Business Park Rd. Old Saybrook, CT 06475
 (800) 221-4436

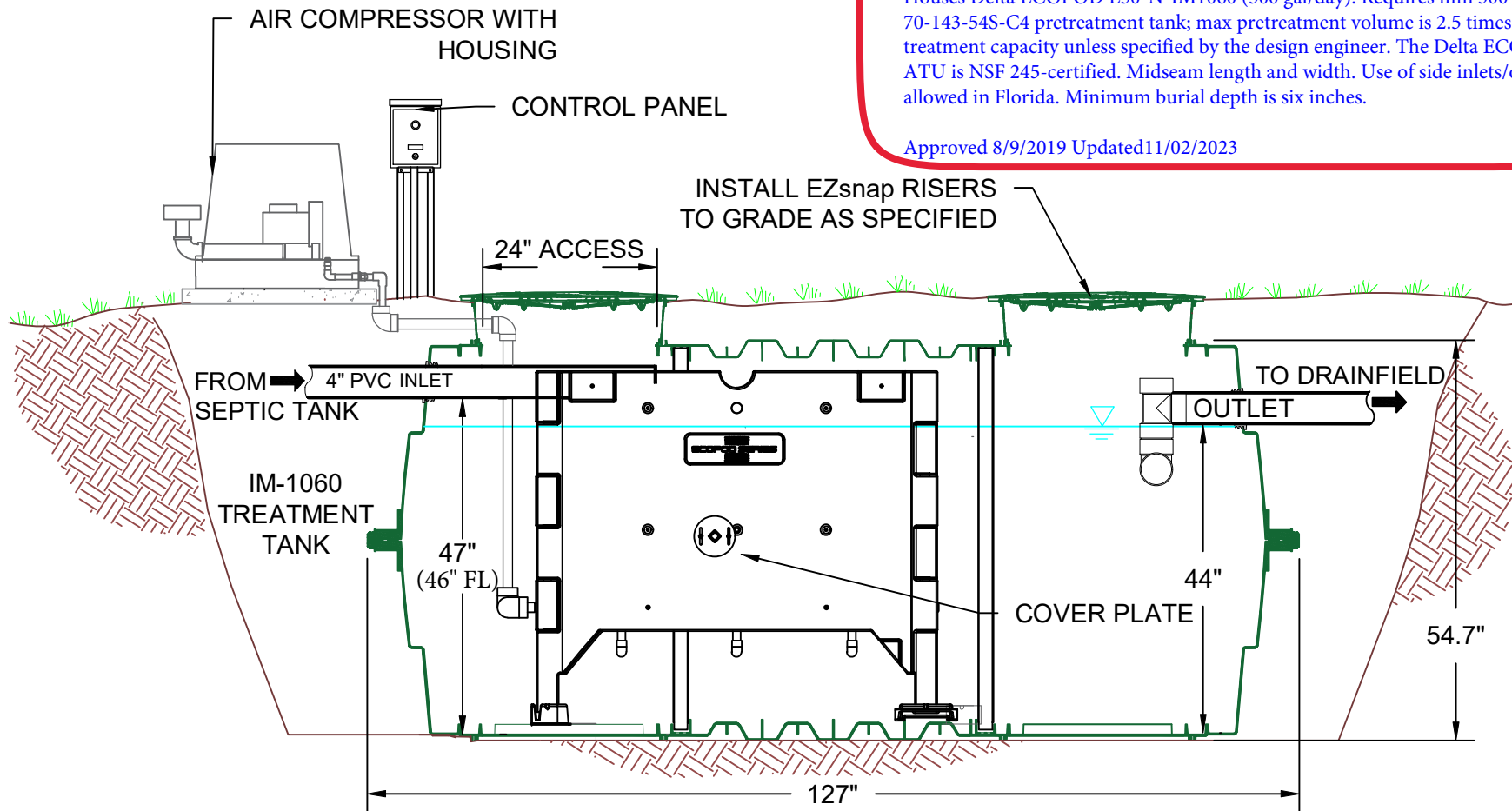
FL EA75 IN IM-1530

Drawn by: RDD	Edited by: JLK	Date: 8/29/2023
Scale: NOT TO SCALE	Checked by: JLK	Sheet: 1 of 1

Florida Department of Environmental Protection
70-143-EP5S-C4

Single compartment polypropylene tank, two vertical and six horizontal stiffeners. Houses Delta ECOPOD E50-N-IM1060 (500 gal/day). Requires min 500-gal or 70-143-54S-C4 pretreatment tank; max pretreatment volume is 2.5 times daily treatment capacity unless specified by the design engineer. The Delta ECOPOD ATU is NSF 245-certified. Midseam length and width. Use of side inlets/outlets not allowed in Florida. Minimum burial depth is six inches.

Approved 8/9/2019 Updated 11/02/2023



NOTES:

1. INSTALL TANK PER INSTALLATION INSTRUCTIONS
2. AIR COMPRESSOR INSTALLED WITHIN 100 FT OF THE TANK.
3. AIR PIPING INSTALLED ON INLET END OF TANK FOR ECOPOD E50-N
4. FLORIDA CATEGORY 4 BRACING INCLUDES TWO (2) HORIZONTAL STIFFENERS AND FOUR (4) DIAGONAL STIFFENERS.
5. ONE (1) OF TWO (2) HORIZONTAL STIFFENERS NOT SHOWN
6. DIAGONAL STIFFENERS NOT SHOWN



INFILTRATOR WATER TECHNOLOGIES
4 Business Park Rd. Old Saybrook, CT 06475
(800) 221-4436

CATEGORY 4 IM-1060
WITH ECOPOD E50-N
TYPICAL CROSS SECTION DETAIL

Drawn by: RCA	Date: 06/04/2019
Scale: NOT TO SCALE	Checked by: DFH Sheet: 1 OF 1

Q:\Technical Resources New\01--STATES\FLORIDA\CAT4\CAD Drawings

Florida Department of Environmental Protection
70-143-EP6S-C4

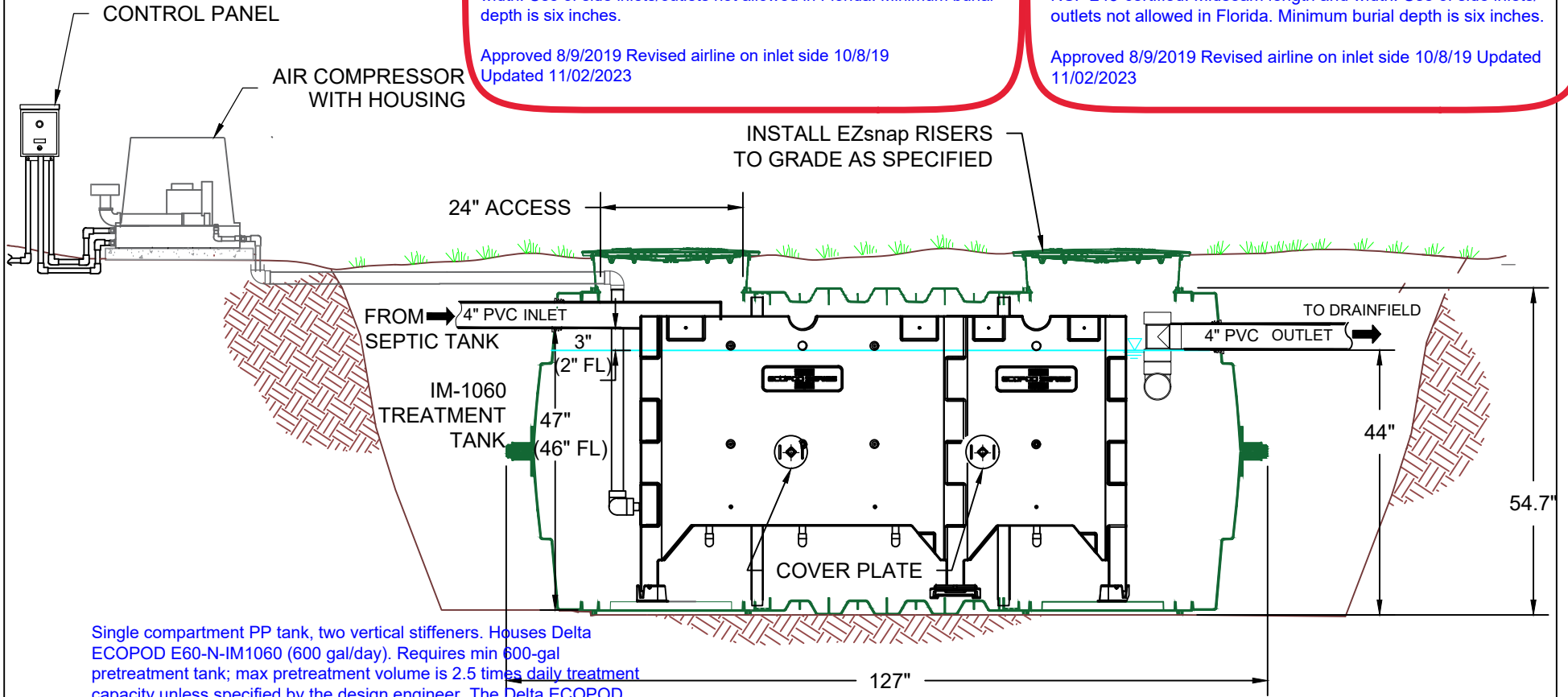
Single compartment polypropylene tank, two vertical and six horizontal stiffeners. Houses Delta ECOPOD E60-N-IM1060 (600 gal/day). Requires min 600-gal pretreatment tank; max pretreatment volume is 2.5 times daily treatment capacity unless specified by the design engineer. The Delta ECOPOD ATU is NSF 245-certified. Midseam length and width. Use of side inlets/outlets not allowed in Florida. Minimum burial depth is six inches.

Approved 8/9/2019 Revised airline on inlet side 10/8/19
Updated 11/02/2023

Florida Department of Environmental Protection
70-143-EP7S-C4

Single compartment polypropylene tank, two vertical and six horizontal stiffeners. Houses Delta ECOPOD E75-N-IM1060 (750 gal/day). Requires min 750-gal pretreatment tank; max pretreatment volume is 2.5 times daily treatment capacity unless specified by the design engineer. The Delta ECOPOD ATU is NSF 245-certified. Midseam length and width. Use of side inlets/outlets not allowed in Florida. Minimum burial depth is six inches.

Approved 8/9/2019 Revised airline on inlet side 10/8/19 Updated
11/02/2023



Single compartment PP tank, two vertical stiffeners. Houses Delta ECOPOD E60-N-IM1060 (600 gal/day). Requires min 600-gal pretreatment tank; max pretreatment volume is 2.5 times daily treatment capacity unless specified by the design engineer. The Delta ECOPOD ATU is NSF 245-certified.

Approved 8/9/2019 Revised airline on inlet side 10/8/19
Updated 10/XX/2023

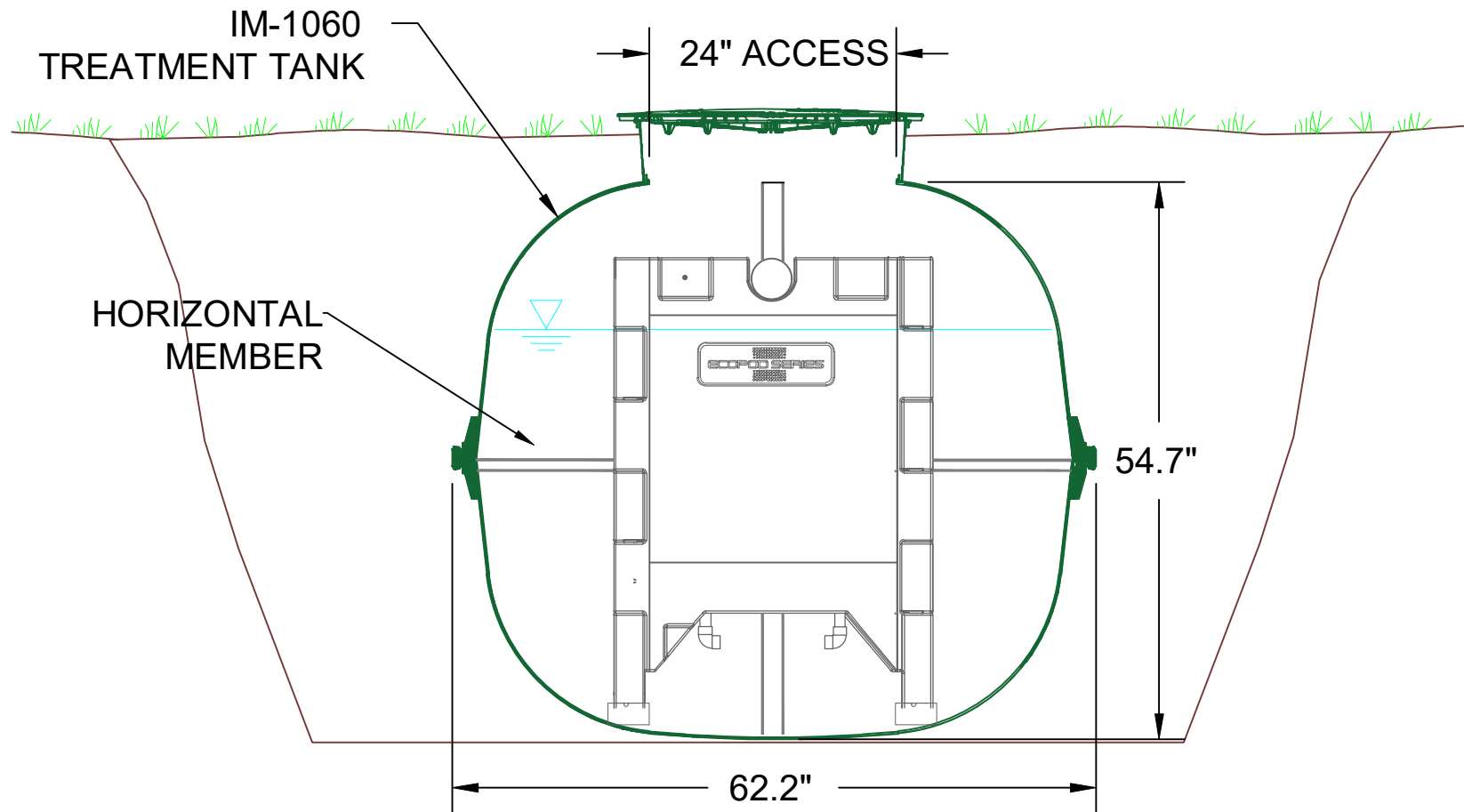
NOTES:

1. INSTALL TANK PER INSTALLATION INSTRUCTIONS
2. AIR COMPRESSOR INSTALLED WITHIN 100 FT OF THE TANK.
3. AIR PIPING INSTALLED ON INLET END OF TANK FOR ECOPOD E60-N AND E75-N
4. FLORIDA CATEGORY 4 BRACING INCLUDES TWO (2) HORIZONTAL STIFFENERS AND FOUR (4) DIAGONAL STIFFENERS.
5. DIAGONAL STIFFENERS NOT SHOWN



INFILTRATOR WATER TECHNOLOGIES 4 Business Park Rd. Old Saybrook, CT 06475 (800) 221-4436	
CATEGORY 4 IM-1060 WITH ECOPOD E60-N/E75-N TYPICAL CROSS SECTION DETAIL	
Drawn by: CGK	Date: 08/19/2019
Scale: NOT TO SCALE	Checked by: DFH Sheet: 1 OF 1

Q:\Technical Resources New\01--STATES\FLORIDA\CAT4\CAD Drawings



NOTES:

1. FLORIDA CATEGORY 4 BRACING INCLUDES TWO (2) HORIZONTAL STIFFENERS AND FOUR (4) DIAGONAL STIFFENERS.
2. DIAGONAL STIFFENERS NOT SHOWN
3. INLET AIR PIPING NOT SHOWN (ECOPOD E50-N INLET END)

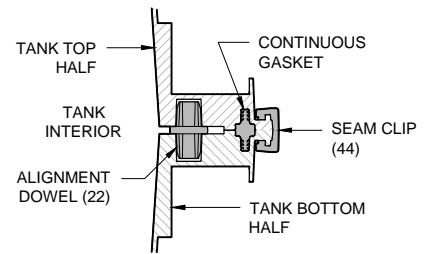
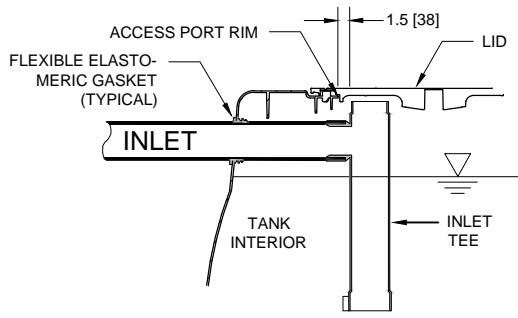
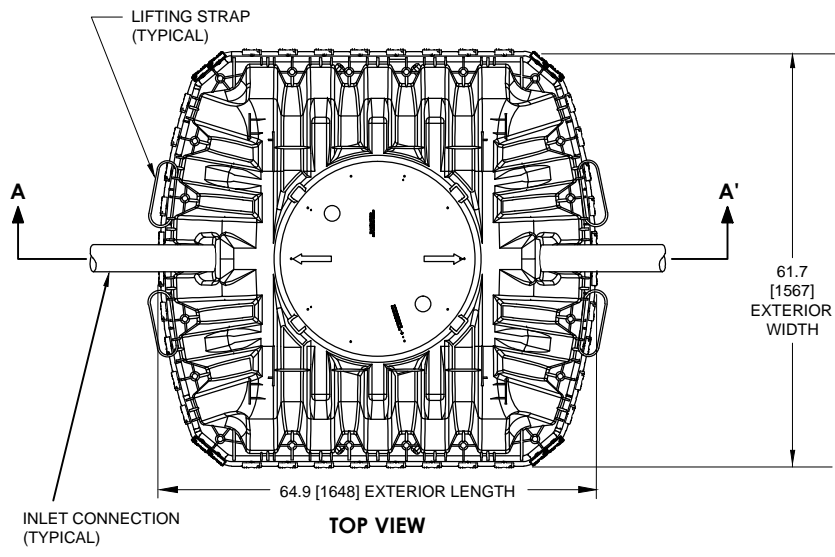


INFILTRATOR WATER TECHNOLOGIES
4 Business Park Rd. Old Saybrook, CT 06475
(800) 221-4436

CATEGORY 4 IM-1060
WITH ECOPOD E50-N, E60-N/E75-N
END VIEW DETAIL

Drawn by: RCA	Date: 06/04/2019
Scale: NOT TO SCALE	Checked by: DFH
	Sheet: 1 OF 1

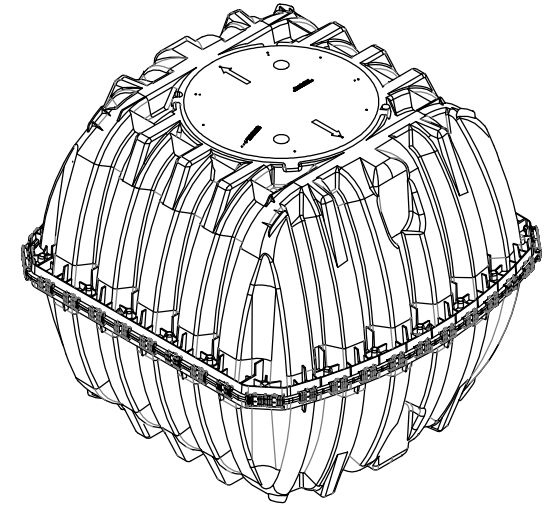
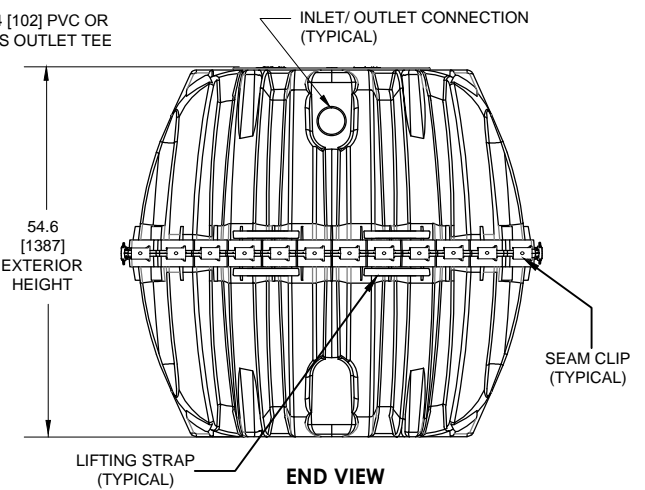
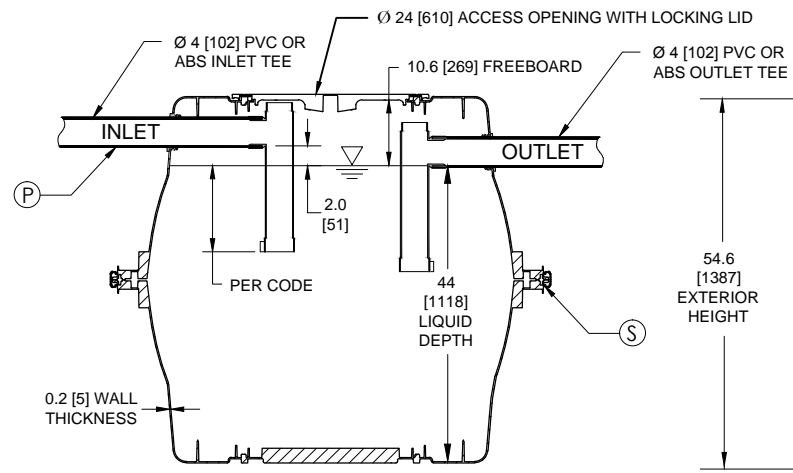
Q:\Technical Resources New\02-Isi_Products\Tanks\Injection-Molded Tank\IM-540\State Specific Drawings\FL\IM-540-FL_07162013



TANK EXTERIOR	
LENGTH	64.9 [1,648]
WIDTH	61.7 [1,567]
HEIGHT	54.6 [1,387]

LIQUID DEPTH	44.0 [1,118]
INVERT DROP	2.0 [51]
FREEBOARD	10.6 [269]

TOTAL CAPACITY	552 GAL [2,089 L]
WORKING VOLUME	475 GAL [1,798 L]



- NOTES:**
1. ALL DRAWING DIMENSIONS IN INCHES [MILLIMETERS] OR AS NOTED.
 2. EXTERIOR OF ACCESS OPENING LID INCLUDES THE FOLLOWING WARNING IN ENGLISH, FRENCH & SPANISH: "DANGER DO NOT ENTER: POISON GASES."
 3. TANK MARKINGS WILL INCLUDE: MANUFACTURER NAME, MODEL NUMBER, LIQUID CAPACITY, DATE OF MANUFACTURE CODE, MAXIMUM BURIAL DEPTH, INLET, AND OUTLET.
 4. MAXIMUM BURIAL DEPTH IS 48 in [1,219 mm].
 5. MINIMUM BURIAL DEPTH IS 6 in [152 mm].
 6. MAXIMUM VEHICLE LOAD IS 4,500-lb [20-kN] AXLE LOAD.
 7. TANK IS FOR NON-TRAFFIC APPLICATIONS.
 8. AIRSPACE IS 16.2%.
 9. OUTLET TEE IS COMPATIBLE WITH AN EFFLUENT FILTER.
 10. INLET TEE IS SHOWN, BUT ONLY IF REQUIRED BY REGULATION..

Florida Department of Environmental Protection
 70-143-54S-C4
 Approved for use as a pretreatment tank for 70-143-EP5S-C4.
 Approved 8/9/2019



Infiltrator Systems Inc.
4 Business Park Rd. Old Saybrook, CT 06475
(800) 221-4436

Florida IM-540 Tank Configuration

Drawn by: GCS	Checked by: DJL	Date: 07-16-13
Scale: Not to scale	Drawing: IM-540-FL	Sheet: 1 of 1