

nfiltrator Water Technologies. EZflow brand 1201-P/1201-P-GEO, 1202H/1202H-GEO, and 1203H/1203H-GEO drainfield products may only be installed according to State and/or local regulations. If unsure of the installation requirements for a particular site, contact the local unit of government.

Any site where EZflow products are installed must meet the same site, soil, soil evaluation, repair area, construction, and all other requirements imposed for a standard gravel drainfield. EZflow products are sized according to local regulations applying to chambers or gravelless technologies

Materials and Equipment Needed

- EZflow Bundles
- EZflow Endcaps
- EZflow Internal Pipe Couplers
- Pipe for Header and Inlet
- Backhoe
- Rake, Shovel
- Laser, Transit, or Level

Installation Instructions

The instructions for installation of EZflow products are given below. This product must be installed in accordance with State and/or local regulations.

In cases where linear footage required is not in multiples of 10, installer may (a) reduce the product to needed length and refasten netting to the pipe or, (b) use an additional 5 or 10 feet of product to exceed the required trench length.

1. After the local health department has approved the configuration and layout for the EZflow system, stake or mark with paint the location of trenches and lines. Be careful to set correct tank, invert pipe, header line or distribution box and trench bottom elevations before installation of pipe bundles.

2. Install sedimentation and erosion control measures. Temporary drainage swales/berms may be installed to protect the site during rainfall events.

3. Excavate trenches to depth shown on permit and to width, based on EZflow configuration.

NOTE: Over excavate the trench width in areas where you are planning to contour.

4. Separation distances between trenches shall be in accordance with State and/or local regulations.

5. Verify that the trenches are level or have the prescribed slope using a level, transit, or laser.

6. Rake the bottom and sides if smearing has occurred while excavating. Remove any large stones and other debris. Do not use the bucket teeth to rake the trench bottom.

NOTE: Raking to eliminate smearing is not necessary in sandy soils. In fine textured soils (silts and clays), avoid walking in the trench to prevent compaction and loss of soil structure.

Installation Instructions for EZflow Systems in Kansas



7. The proper elevation of solid PVC effluent pipe going to each trench should be determined to ensure compliance with the required maximum trench bottom depth as shown on the permit.

8. Remove plastic shipping wrap prior to placing bundles in the trench(es). Remove any plastic wrap in the trench before system is covered.

9. Place bundle(s) in the configuration approved by system design permit specified for the particular site. The bundles containing pipe are joined end to end with an internal pipe coupler. Any additional aggregate bundles that may be required, should be butted against the other aggregate-only bundles and do not require any type of connection device.

10. The top of each GEO bundle contains a filter fabric premanufactured in between the netting and aggregate. The fabric is inserted to prevent soil intrusion. The installer shall make sure that the fabric is on top and is in contact with the fabric contained in the adjacent bundle before backfilling.

11. If not using a GEO product, EZflow systems require covering over the top of the system with a biodegradable material approved by the manufacturer.

12. There shall be a minimum of 6" of earth backfill over the EZflow bundles.

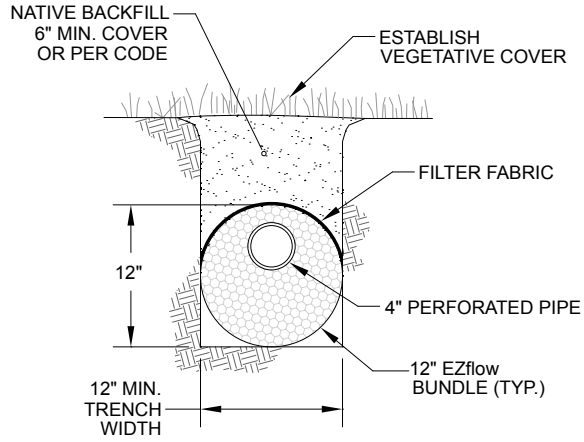
13. Final cover above the effluent trenches shall be graded to reduce infiltration of surface water and minimize erosion.

EZflow Inspection

As required by state or local regulations, be sure to obtain proper installation inspection and authorization from the health department prior to covering the system.

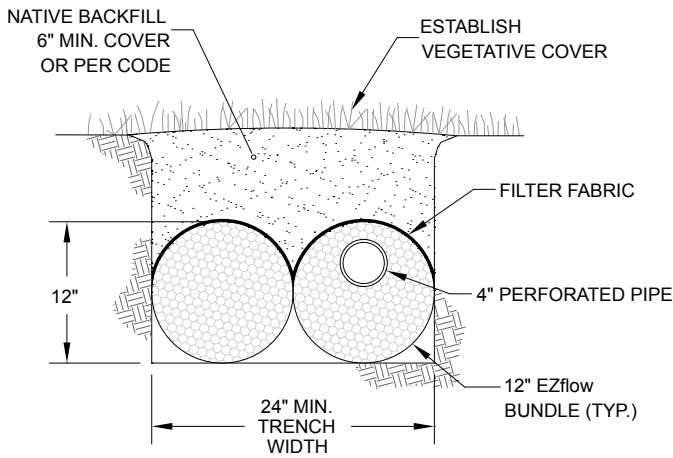
Repeat steps 1 through 13 for each trench.

1201P-GEO



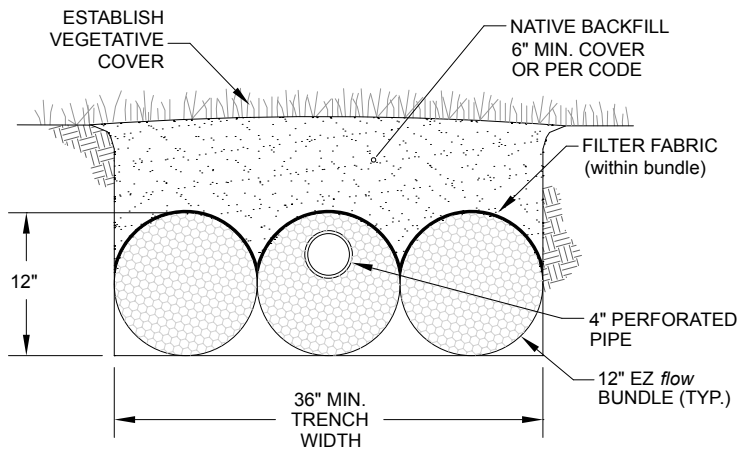
PROPERTIES AND SPECIFICATIONS	
Overall System Height	12"
Trench Width	12" – 24"

1202H-GEO



PROPERTIES AND SPECIFICATIONS	
Overall System Height	12"
Trench Width	24"

1203H-GEO



PROPERTIES AND SPECIFICATIONS	
Overall System Height	12"
Trench Width	36"

Warranty

INFILTRATOR WATER TECHNOLOGIES, LLC STANDARD LIMITED WARRANTY

- (a) The structural integrity of each EZflow by Infiltrator expanded polystyrene drainfield system and other accessories manufactured by EZflow by Infiltrator (“Units”), when installed and operated in a leachfield of an onsite septic system in accordance with Infiltrator’s instructions, is warranted to the original purchaser (“Holder”) against defective materials and workmanship for one year from the date that the septic permit is issued for the septic system containing the Units; provided, however, that if a septic permit is not required by applicable law, the warranty period will begin upon the date that installation of the septic system commences. To exercise its warranty rights, Holder must notify Infiltrator in writing at its Corporate Headquarters in Old Saybrook, Connecticut within fifteen (15) days of the alleged defect. Infiltrator will supply replacement Units for Units determined by EZflow by Infiltrator to be covered by this Limited Warranty. EZflow by Infiltrator’s liability specifically excludes the cost of removal and/or installation of the Units.
- (b) THE LIMITED WARRANTY AND REMEDIES IN SUBPARAGRAPH (a) ARE EXCLUSIVE. THERE ARE NO OTHER WARRANTIES WITH RESPECT TO THE UNITS, INCLUDING NO IMPLIED WARRANTIES OF MERCHANTABILITY OR FITNESS FOR A PARTICULAR PURPOSE
- (c) This Limited Warranty shall be void if any part of the EZflow system is manufactured by anyone other than EZflow by Infiltrator. The Limited Warranty does not extend to incidental, consequential, special or indirect damages. Infiltrator shall not be liable for penalties or liquidated damages, including loss of production and profits, labor and materials, overhead costs, or other losses or expenses incurred by the Holder or any third party. Specifically excluded from Limited Warranty coverage are damage to the Units due to ordinary wear and tear, alteration, accident, misuse, abuse or neglect of the Units; the Units being subjected to vehicle traffic or other conditions which are not permitted by the installation instructions; failure to maintain the minimum ground covers set forth in the installation instructions; the placement of improper materials into the system containing the Units; failure of the Units or the septic system due to improper siting or improper sizing, excessive water usage, improper grease disposal, or improper operation; or any other event not caused by Infiltrator. This Limited Warranty shall be void if the Holder fails to comply with all of the terms set forth in this Limited Warranty. Further, in no event shall Infiltrator be responsible for any loss or damage to the Holder, the Units, or any third party resulting from installation or shipment, or from any product liability claims of Holder or any third party. For this Limited Warranty to apply, the Units must be installed in accordance with all site conditions required by state and local codes; all other applicable laws; and Infiltrator’s installation instructions.
- (d) No representative of Infiltrator has the authority to change or extend this Limited Warranty. No warranty applies to any party other than the original Holder.

The above represents the Standard Limited Warranty offered by Infiltrator. A limited number of states and counties have different warranty requirements. Any purchaser of Units should contact Infiltrator’s Corporate Headquarters in Old Saybrook, Connecticut, prior to such purchase, to obtain a copy of the applicable warranty, and should carefully read that warranty prior to the purchase of Units.



4 Business Park Road P.O. Box 768
Old Saybrook, CT 06475
860-577-7000 • Fax 860-577-7001
1-800-221-4436
www.infiltratorwater.com

The top of configurations with the suffix "GEO" contain a filter fabric pre-manufactured in between the netting and aggregate. The fabric is inserted to prevent soil intrusion. The installer shall make sure that the fabric is on top and is in contact with the fabric contained in the adjacent cylinder before backfilling. If not utilizing a GEO product, installer should use untreated building paper. Other barrier material may be used as approved by the state's DEC and manufacturer.

ISO 9001 Registered.

U.S. Patents: 4,759,661; 5,017,041; 5,156,488; 5,336,017; 5,401,116; 5,401,459; 5,511,903; 5,716,163; 5,588,778; 5,839,844 Canadian Patents: 1,329,959; 2,004,564 Other patents pending. Infiltrator, Equalizer, Quick4, and SideWinder are registered trademarks of Infiltrator Water Technologies. Infiltrator is a registered trademark in France. Infiltrator Water Technologies is a registered trademark in Mexico. Contour, MicroLeaching, PolyTuff, ChamberSpacer, MultiPort, PosiLock, QuickCut, QuickPlay, SnapLock and StraightLock are trademarks of Infiltrator Water Technologies. PolyLok is a trademark of PolyLok, Inc. TUF-TITE is a registered trademark of TUF-TITE, INC. Ultra-Rib is a trademark of IPEX Inc.

© 2017 Infiltrator Water Technologies, LLC. All rights reserved. Printed in U.S.A.

EZ16 0717

Contact Infiltrator Water Technologies' Technical Services Department for assistance at 1-800-221-4436