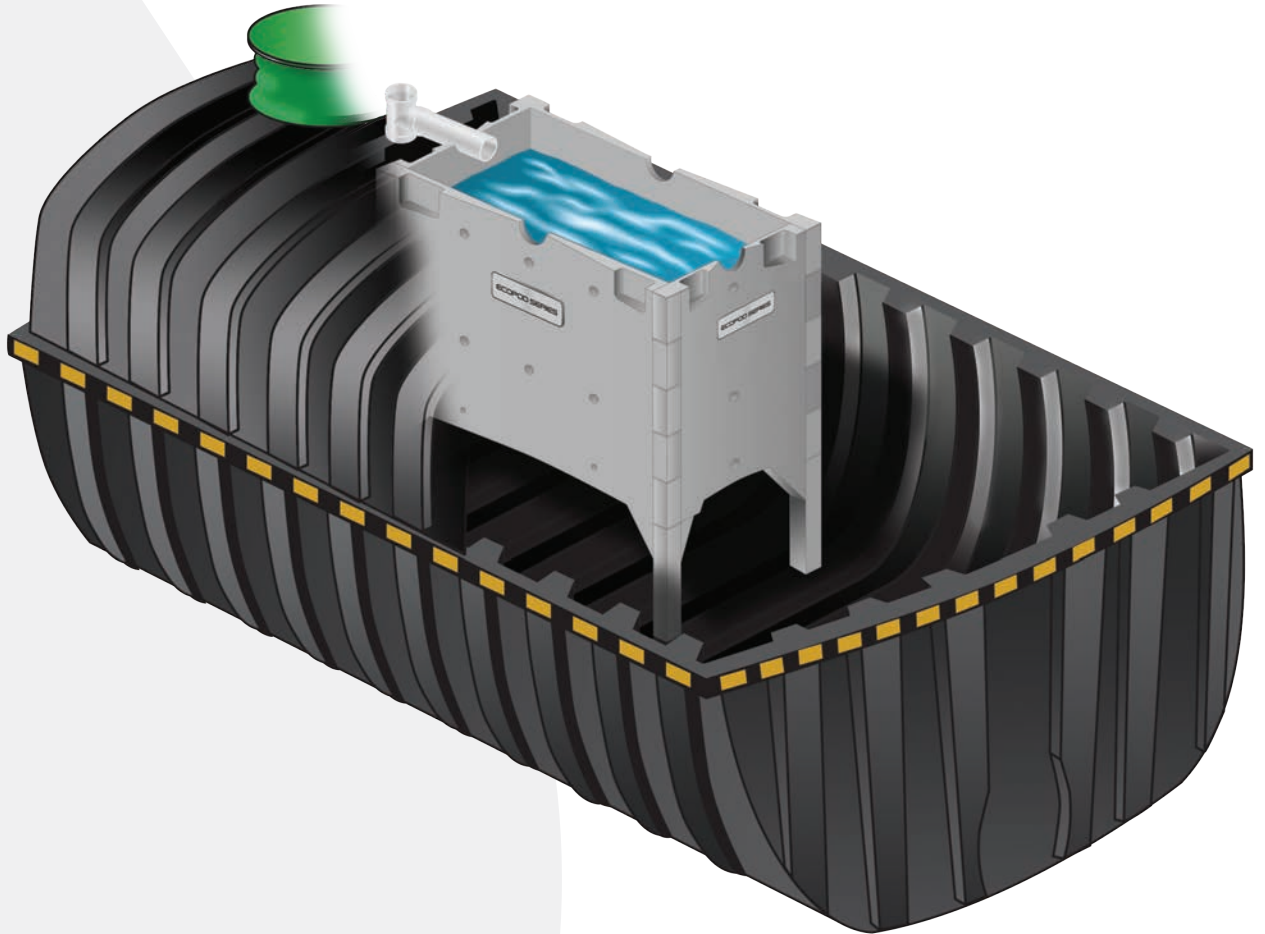




A wholly owned subsidiary of Infiltrator Water Technologies, LLC



DELTA TREATMENT SYSTEMS
ECOPOD-N[®] IM-1060
NSF/ANSI 40 AND 245 CERTIFIED
RESIDENTIAL WASTEWATER
TREATMENT SYSTEM



WWW.DELTATREATMENT.COM

DELTA TREATMENT SYSTEMS

NSF/ANSI 40 AND 245 Certified Residential Wastewater Treatment System

ECOPOD-N® Advanced Wastewater Treatment In The Infiltrator IM-1060 Tank

ECOPOD-N is the clear choice for an on-site wastewater disposal system where nitrogen reduction is required. It was tested under Standard 40 and 245 of ANSI/NSF International with an average nitrogen reduction of greater than 50% and met and exceeded Class 1 requirements with an average effluent quality of 9 mg/L BOD5 and 8 mg/L TSS.

ECOPOD-N directly contributes to a cleaner, safer environment using the bacteria nature provides. As a result of air being pumped into the system, the bacteria thrive and grow in much greater numbers than would occur naturally. This “overpopulation” of bacteria speeds the process of breaking down the sewage, making it safe for release into the environment.

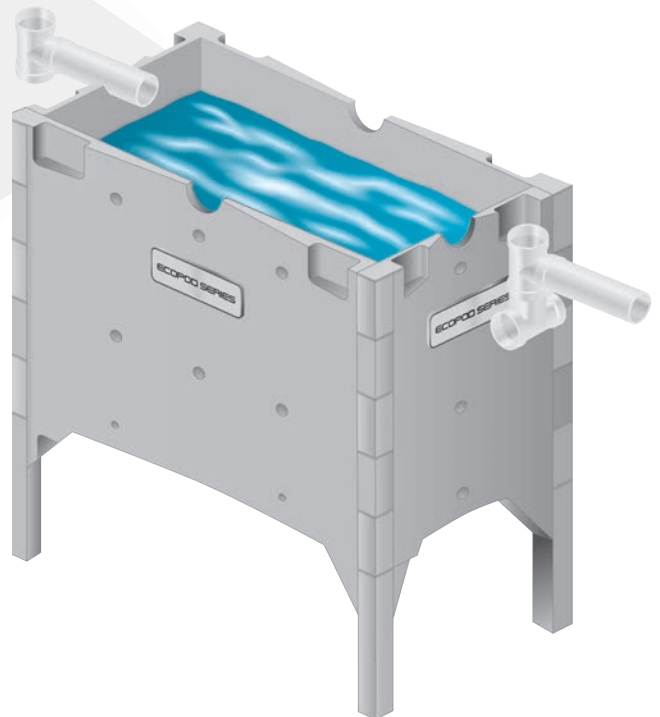
ECOPOD-N significantly reduces BOD, TSS, fecal coliforms, and nutrients in the wastewater. Nitrification and denitrification occur in a single tank.

ECOPOD-N series uses a fixed film process which is characteristically stable, reliable and sturdy. Fixed film is a preferred treatment process for on-site wastewater treatment systems.

ECOPOD-N Available Offering In the Infiltrator IM-1060 Tank

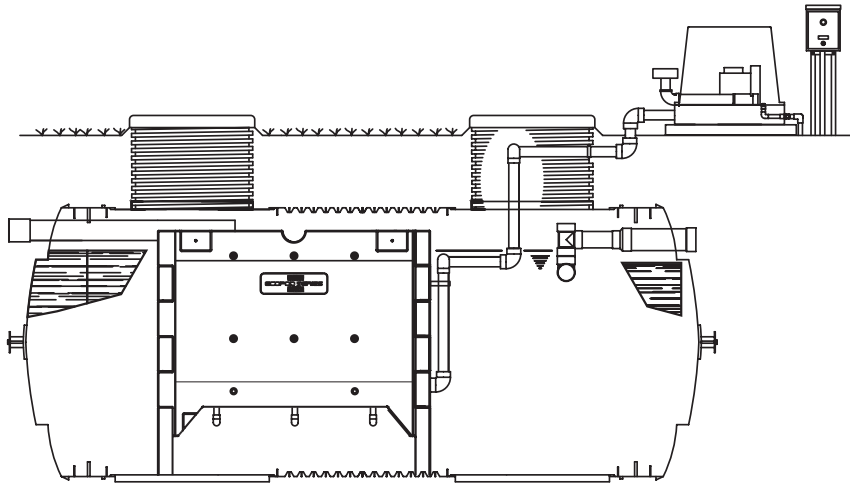
ECOPOD-N Units are manufactured to specifications according to wastewater flow requirements. Units are available in the following sizes:

- Model E50-N IM-106 treating 500 gallons per day
- Model E60-N IM-1060 treating 600 gallons per day
- Model E75-N IM-1060 treating 750 gallons per day



ECOPOD-N and Infiltrator IM-1060 TANK

An Easy, Transportable and Installed Onsite Treatment Package



Why Use ECOPOD-N® Advanced Wastewater Treatment?

- Built with technology which meets ANSI/NSF International Standards 40 and 245 – Class 1
- Completely submerged reactor disposes of wastewater quietly, efficiently, and with no odor
- Typical effluent quality of 9 mg/L BOD5 and 8 mg/L TSS
- No inner tank filters, screens or diffusers to service
- Patented non-clogging air delivery system
- Remote mount air compressor
- Low initial capital cost and operation
- Complete on-site system designs
- ECOPOD-N treatment systems are pre-engineered, requiring no special expertise to design, specify, or install
- True attached growth system – no mixed liquor
- Integral clarifier – no external clarifier required
- Lightweight
- Water tight



Design Components Material Specifications

Shown is the ECOPOD-N 50 IM-1060

Treatment Capacity	500 GPD
Electrical Requirement	115/1/60
Aerator Compressor	EN50

Other Delta Treatment Systems Products

A respected leader in wastewater treatment with decades of technical design and manufacturing experience, Delta Treatment Systems is committed to the continuing development of new products in the 21st century.

WHITEWATER®
DF SERIES

CONTROL SERIES

ECODRIP SERIES

Distributor Network

ECOPOD® Series Advanced Wastewater Treatment Systems and accessories are sold, installed and serviced by certified distributors who are fully trained to provide all necessary components and to ensure professional installation.

ECOPOD SERIES



9125 Comar Drive, Walker, LA 70785, 1 (800) 219-9183 | WWW.DELTATREATMENT.COM

Because we are continuously improving our products and services, Delta Treatment Systems reserves the right to change specifications without prior notice.
DTA11300BR 04/2018 © 2018 Delta Treatment Systems, LLC. All Rights Reserved.