

# Installation Instructions for EZflow Systems in New York



The State of New York Department of Health, Residential Sanitation Section, has reviewed Infiltrator Systems Inc., **EZflow 1202H** product, and has determined it to be in compliance with Appendix 75-A and may be used as an equivalent to a conventional (24-inch wide) absorption trench on a 1:1 linear foot basis in a 24-inch wide absorption trench. The applicable regulation used in their review is 10NYCRR Appendix 75-A, "Wastewater Treatment Standards - Individual Household Systems".

In addition, **EZflow** by Infiltrator **1003T and 1203T** may be used in a 24-inch wide absorption trench with a 25% reduction in accordance with the Interoffice Memorandum, dated 11-24-04. At this time, the application of a trench length reduction will require the issuance of a Specific Waiver from the local health department having jurisdiction.

The use of proprietary products for onsite wastewater treatment products is also subject to the conditions and requirements of local health departments and local code enforcement officer. Local standards may be more stringent than those included in Appendix 75-A.

**EZflow** by Infiltrator shall certify installers during or prior to their first installation as having passed **EZflow** Certification Training.

## Materials and Equipment needed

- **EZflow** Bundles
- **EZflow** Barrier Paper
- **EZflow** Internal Pipe Couplers
- Pipe for Header and Inlet
- Backhoe

## Installation Instructions

The instructions for installation of **EZflow** products are given below. This product must be installed in accordance with the appropriate state regulations and codes.

In cases where linear footage required is not in multiples of 10, installer may (a) reduce the product to needed length and refasten netting to the pipe or, (b) use an additional 5 or 10 feet of product to exceed the required trench length.

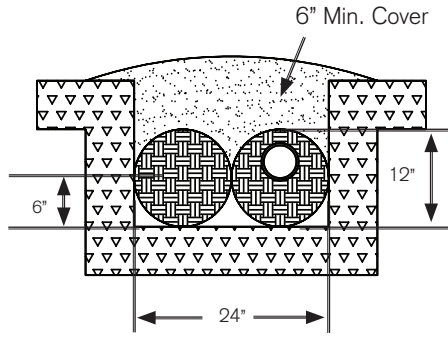
1. After the local health department has determined sizing, configuration, and layout for the **EZflow** systems, stake or mark with paint, the location of trenches and lines. Be careful to set correct tank, septic tank outlet invert pipe, header line or distribution box and trench bottom elevations before installation of pipe bundles.
2. The drainfield is to be level or serial distribution or modification of either, depending on site characteristics.
3. Individual absorption trenches shall be constructed parallel to ground contours with trench bottoms as near level as possible. Adjacent trenches shall be separated by at least 4 feet of undisturbed soil per 75-A.8 (b) (ii).
4. Excavate trench to approved depth and width according to diagrams on following page, with a minimum cover of 6".

5. Remove the plastic **EZflow** stretch wrap prior to placing bundles in the trench(es) from trench before it is covered.
6. Place **EZflow** bundle(s) in the **EZflow** configuration approved by system design permit specified for the particular site. The top or center-most bundles containing pipe are joined end to end with an internal pipe coupler. Any additional aggregate only bundles that may be required, should be butted against the other aggregate-only bundles and do not require any type of connection.
7. The top of each GEO cylinder contains a filter fabric pre-manufactured in between the netting and aggregate. The fabric is inserted to prevent soil intrusion. The installer shall make sure that the fabric is on top before final backfilling.
8. Header or lead lines from distribution box or device will be connected to the top or center-most pipe bundle in each trench or inserted into the pipe.
9. **EZflow** EPS bundles are flexible and can fit in curved trenches as may be necessary to avoid trees, boulders, or other obstacles.
10. The trench depth shall be as shallow as possible, but not less than 18 inches. Earth cover over the bundles shall be a minimum of 6 inches but should not exceed 12 inches in order to enhance natural aeration and nitrogen uptake by plants. (75-A.8 (b) (ii).
11. If not using a GEO product, the **EZflow** bundles shall be covered with a material that prevents soil from entering yet allows air and moisture to pass thru per 75-A.8 (b) (3) (iii). This barrier may be of untreated building paper or other approved cover material.
12. Heavy equipment shall be kept away from the field because the weight may permanently alter soil characteristics due to compaction. The earth backfill is to be mounded slightly above the original ground level to allow for settling and after settlement the entire area should be graded without the use of heavy equipment and seeded with grass per 75-A.8 (b) (4) (ii) & (vii).
13. The trench top shall be compacted to the maximum degree possible with a backhoe bucket.

Repeat steps 1 thru 13 for each required trench.

# Approved EZ<sub>flow</sub> Products

## EZ<sub>flow</sub> 1202H/1202H-GEO

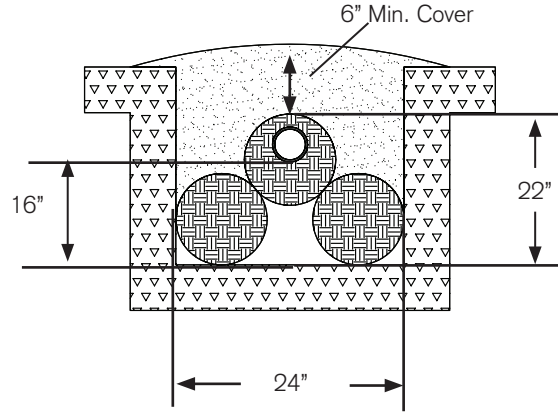


1202H is sized on a foot per foot basis.

### Properties and Specifications

Overall System Height	12"
Invert Height	6"
Trench Width	24"
Min. Trench Depth	18"
Trench Sizing	2.0 sf/ft

## EZ<sub>flow</sub> 1203T/1203T-GEO

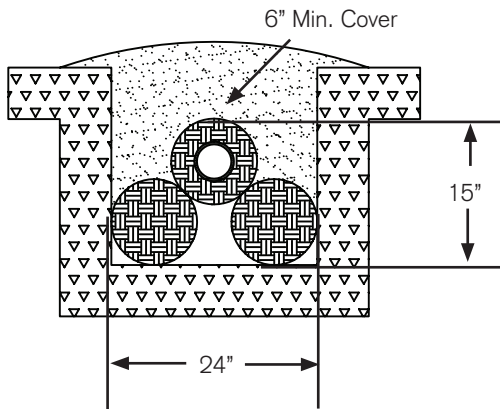


EXAMPLE: - 300 sq ft. required.  
 $300 \text{ sf} \times .75 = 225 \text{ sf}$  required  
 $225 \text{ sf} \div 2 \text{ sf/lf} = 112.5 \text{ lf}$

### Properties and Specifications

Overall System Height	22"
Invert Height	16"
Trench Width	24"
Min. Trench Depth	26"
Trench Sizing	2.0 sf/ft

## EZ<sub>flow</sub> 1003T



EXAMPLE: - 300 sq ft. required.  
 $300 \text{ sf} \times .75 = 225 \text{ sf}$  required  
 $225 \text{ sf} \div 2 \text{ sf/lf} = 112.5 \text{ lf}$

### Properties and Specifications

Overall System Height	15"
Invert Height	12"
Trench Modification	25%
Trench Width	24"
Trench Depth	21"

The area of the drainfield shall not be used for vehicular traffic, parking, or underground utilities, to include water lines. Dozers, trucks, and other heavy vehicles shall not be allowed to run over the septic tank, field lines or other parts of the system.

Sod or seed the drainfield area to control erosion, as may be required by rule, Permit, or local policy.

### Maintenance

It is the property owner's responsibility to maintain the system in a safe and sanitary manner.

### EZflow Inspection

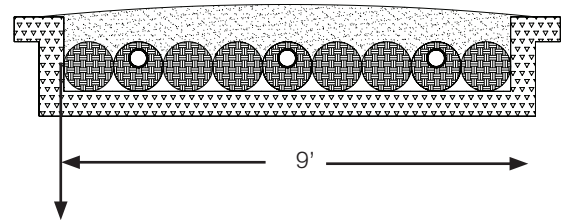
As required by state or local regulations, be sure to obtain proper installation inspection and authorization from the health department prior to covering the system.

Septic tank, header pipe or D box, trench bottom, grade, depth, and cover shall be in accordance with state rules and regulations unless otherwise specified.

Four-inch septic pipe units are self leveling. Units are engineered with holes at 12, 4 & 8 o'clock. Barrier over systems, if required, shall consist of untreated building paper.

## EZflow Bed and Mound Systems

### 1200 Bed System



1200 Horizontal Drainfield System may be used in a bed system with the three cylindrical bundles placed in rows next to each other. This system will replace the conventional method at a ratio of one to one. The convenience of this system can help determine the exact layout and cost, as well as saving on installation time. This system may be adapted to a low pressure system as shown in the LPP 1200 Bed System drawing.

Absorption bed and mound construction shall comply with the requirements of 75-A.8 (g) and 75-A.9 (c), respectively. Pressure distribution and dosing shall meet the criteria in 75-A.7 (b).



**INFILTRATOR<sup>®</sup>**  
systems inc.

6 Business Park Road • Old Saybrook, CT 06475 • 800.689.7759